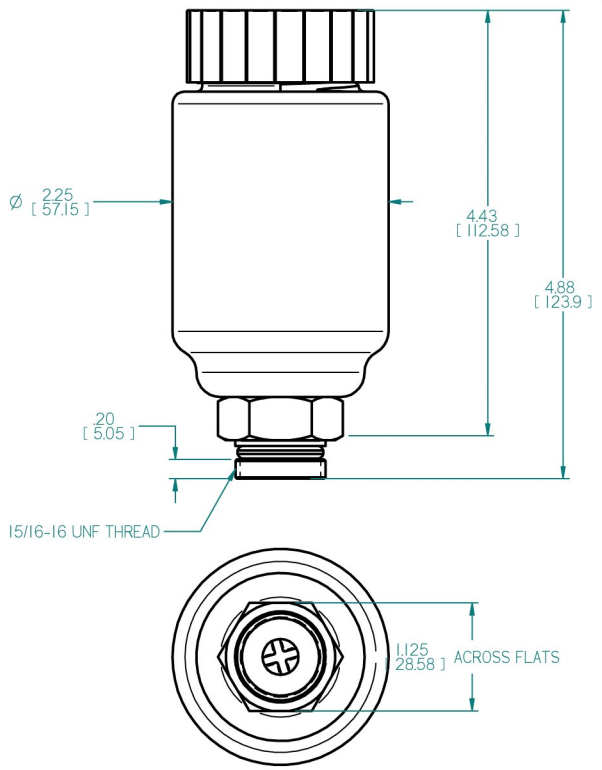


REV	ECN	DATE	BY	CHANGE OR ADDITION
NC	1343	5/1/2017	LUND	INITIAL RELEASE



- NOTES:**
1. DIMENSIONS AND TOLERANCES PER ASME Y14.5 - 2009
 2. UNLESS OTHERWISE SPECIFIED, ALL DIMENSIONS ARE IN INCHES [MM].
 3. LUBRICATE O-RING WITH A SMALL AMOUNT OF BRAKE FLUID PRIOR TO INSTALLATION.
 4. DO NOT USE TEFLON TAPE, THREAD SEALANT OR THREAD LOCKING COMPOUND.
 5. INTERNAL VOLUME = 5.3 FL-OZ, 158 mL

TILTON ENGINEERING, INC.		FAX 805/688-2745	
25 EASY STREET, P.O. BOX 1787, BUELLTON, CA 93427 805/688-2353			
TITLE:		MASTER CYLINDER RESERVOIR DIRECT MOUNT TO 76 SERIES, 5.3 FL OZ	
DRAWN BY WAHL	CHKD LUND	SCALE 1:1	SIZE B
P/N 74-240	DATE 03/14/2017	SHEET 1 OF 1	DWG 6541
			REV NC

This document contains proprietary information of TILTON ENGINEERING, INC. and its receipt or possession does not constitute an offer of any product. Reproduction, manufacture, use or selling anything if may obsolete. Reproduction of this document without the written permission of TILTON ENGINEERING, INC. is strictly forbidden.

TILTON ENGINEERING

