

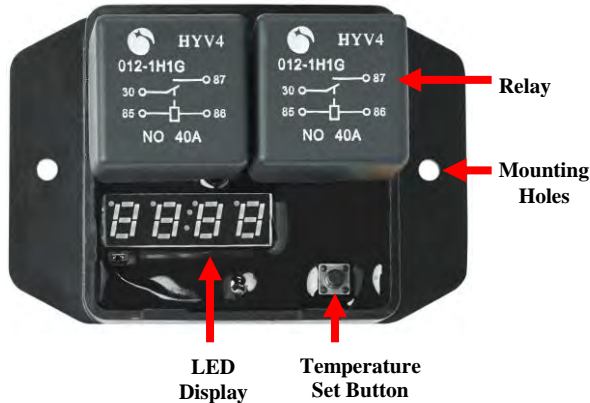
DIGITAL THERMATIC FAN SWITCH - PART # 0444

WARNING: THIS DIGITAL THERMATIC SWITCH IS FOR 12V USAGE ONLY! - Changing the built in 12V relays to 24V relays can be used for 24V applications.

INSTALLATION OF THERMAL SWITCH

1. The Switch should be mounted in the engine bay, adjacent to the radiator using the self-tapping screws provided. Please keep unit away from high heat sources, such as exhaust manifolds etc.

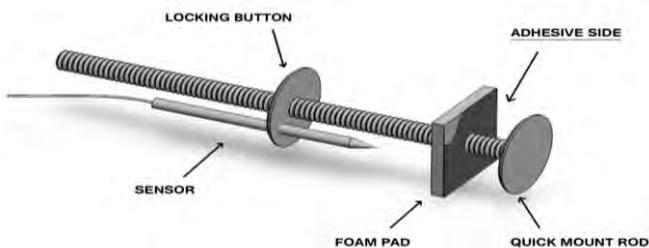
DIGITAL THERMATIC SWITCH



Kit Contents:

Controller x 1 – Mount Kit x 1 – Scotch Lock x 1 – Ring Terminal (Yellow) x 1 – Self Tap Screw x 2 – Connector (Yellow) x 1

2. Select the temperature sensor mounting location before installing the fan (if applicable). Temperature Sensor Probe installation requires access to both sides of the radiator. Remove the radiator and/or condenser, if necessary, to allow access to both sides.
 3. For optimum performance, install the Temperature Sensor in the radiator fin section as close to the hot coolant inlet as possible. Select a position that will not interfere with the fan. The Temperature Sensor probe **MUST NOT** extend through the radiator core as this will affect the Switch's operation.
- * **Note:** using a suitable 5mm compression fitting (**Not provided**) you can install the sensor probe in to the top radiator hose.



4. Remove quick fit mount rod, button and foam pad and then remove backing paper from foam pad. Slide foam pad onto the quick mount rod so the pad adheres to the under face of the head of the quick mount rod.
5. Gently separate the radiator fins in area where you propose to mount/insert the temperature sensor probe, using the quick mount rod or similar so as not to damage the tubes. Insert the quick mount rod through the separated fins along with the Temperature Sensor probe (as illustrated). Push the locking button and Sensor onto the quick mount. Align and insert into the separated fins, pushing locking button onto the quick fit mount to sit flush with the face of the radiator. Cut off excess quick mount rod.

WIRING DIAGRAMS: Please refer to the wiring diagram overleaf for installation of this Thematic Switch. The wiring diagrams found in the Davies, Craig range of Thematic Fan Kits are for use with the Mechanical Thermal Switch only.

WARNING: Do not use the vehicle's engine management system or wiring connected to the management system as an ignition source as it may cause failure of the management system and/or the electrical system. The ignition source must be a steady positive supply of 12-16VDC (for 12V applications). **Note:** To convert temperature reading from Centigrade to Fahrenheit, simply press the set button (when it's in the ambient temp mode) & hold for 5 seconds. Release the button when it's changed.

SETTING THE ADJUSTABLE THERMATIC SWITCH

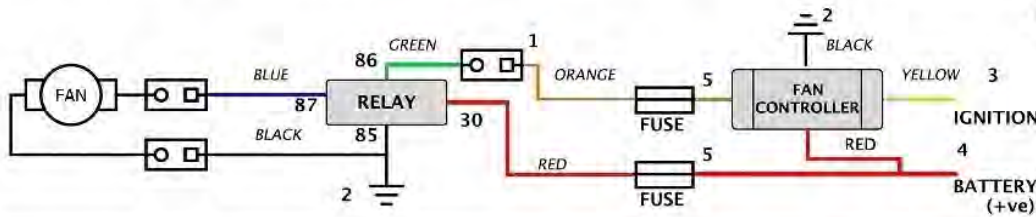
1. Press the set button once, then it will show the current set temperature, then begin by holding down the Temperature Set Button till the LED display reaches the maximum 110° C then release Temperature Set Button. If the button is not touched for 5 seconds this set temperature will be stored and the LED will display the ambient (air) temperature.
2. Start the engine and allow the engine temperature to rise to around $\frac{3}{4}$ on the vehicle's temp gauge which should be higher than the normal operating engine temperature. The operator needs to decide the engine temperature at which the #1 fan will commence operation. (*Note: the air temperature around the Sensor positioned in the top of the radiator fins will be around 15C lower than the engine's coolant temp.*)
3. Then, hold down the Temperature Set Button until the LED reaches the temperature the operator wishes Fan #1 to start. Once this temperature is reached, lift your finger off the Temperature Set Button which will automatically set/target the selected temperature (*after 5 seconds*) that Fan #1 will start. Fan #2 (if applicable) will start operation 10 seconds after Fan #1 starts.
4. The fan/s will operate until the air temperature falls by 5 C below the Targeted/Set temperature.
5. Conduct a road test, monitoring engine temperature. If necessary, adjust the set/target temperature to suit your requirements.
6. **NOTE:** Check that the fan(s) face the correct direction. On the hub of Davies, Craig fans there are a message "This side must face the front of the vehicle". Check that the fan(s) rotate in the correct direction, which is in the direction of the arrow on the hub. If the fans rotate in the wrong direction swap the two leads to the fan motor. Engine coolant under system pressure boils at 118C. If you are in any doubt about any of these instructions consult your retailer or DAVIES, CRAIG direct on +61 (3) 9369-1234 or info@daviescraig.com.au **FAILURE TO COMPLY WITH THESE INSTRUCTIONS OR TAMPERING WITH THE PRODUCT MAY INVALIDATE THE MANUFACTURER'S WARRANTY.** **WARRANTY:** Davies Craig Pty Ltd hereby guarantees this product for a period of 2 years from the date of purchase. DCPL shall replace your Electronic Thermal Switch, if a fault develops, providing such a fault is directly attributable to a defect in workmanship or materials used in the manufacture of the Electronic Thermal Switch. Labour and consequential costs are excluded.

Register Warranty at:
www.daviescraig.com.au

DAVIES, CRAIG PTY. LTD. THERMATIC FAN WIRING DIAGRAMS

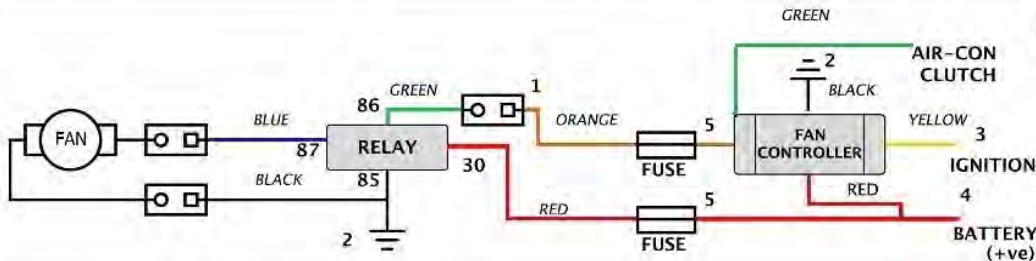
(FOR USE WITH THE ELECTRONIC THERMAL SWITCH ONLY)

WIRING DIAGRAMS 1-4 ARE FOR USE WITH A DAVIES CRAIG THERMATIC FAN ONLY



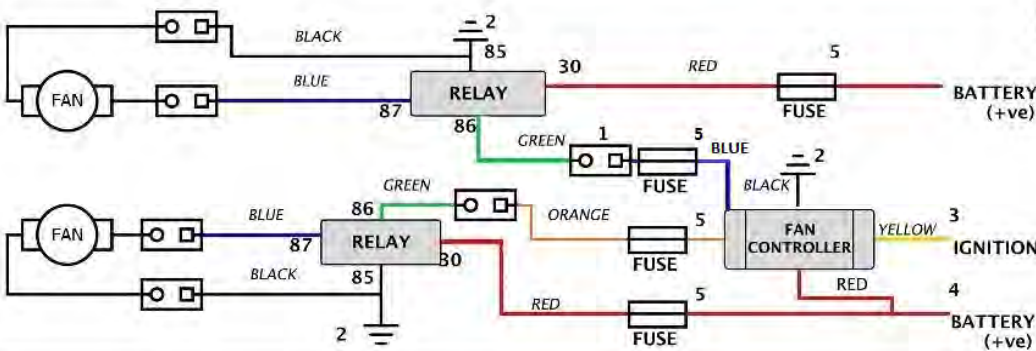
1 ONE FAN, CONDENSER ONLY

- 1 YELLOW CONNECTOR
 - 2 SELF TAPPER
 - 3 SCOTCHLOCK
 - 4 RING TERMINAL
 - 5 FUSE HOLDER & FUSE
- PURCHASE: 1 FAN KIT, 1 ELECTRONIC THERMAL SWITCH**



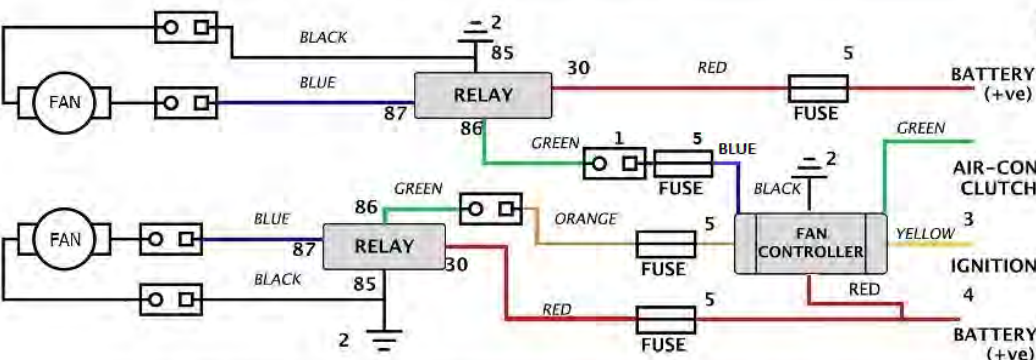
2 ONE FAN, CONDENSER AND / OR THERMATIC

- 1 YELLOW CONNECTOR
 - 2 SELF TAPPER
 - 3 SCOTCHLOCK
 - 4 RING TERMINAL
 - 5 FUSE HOLDER & FUSE
- PURCHASE: 1 FAN KIT, 1 ELECTRONIC THERMAL SWITCH**



3 TWIN FANS, THERMATIC ONLY

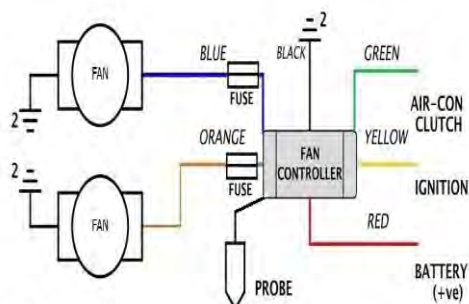
- 1 YELLOW CONNECTOR
 - 2 SELF TAPPER
 - 3 SCOTCHLOCK
 - 4 RING TERMINAL
 - 5 FUSE HOLDER & FUSE
- PURCHASE: 1 FAN KIT, 1 ELECTRONIC THERMAL SWITCH**



4 TWIN FAN, THERMATIC SINGLE FAN CONDENSER

- 1 YELLOW CONNECTOR
 - 2 SELF TAPPER
 - 3 SCOTCHLOCK
 - 4 RING TERMINAL
 - 5 FUSE HOLDER & FUSE
- PURCHASE: 1 FAN KIT, 1 ELECTRONIC THERMAL SWITCH**

IF YOU ARE USING THE THERMAL SWITCH WITHOUT A DAVIES CRAIG THERMATIC FAN KIT, FOLLOW THE DIAGRAM BELOW.



NOTE : FAN 1 IS THE ORANGE WIRE
FAN 2 IS THE BLUE WIRE

Positive Earth system wiring



- Connect Directly to Battery Positive
- IGN wire connect Battery positive via ON/OFF switch
- Connect Directly to Battery Negative
- FAN 1 Output
- FAN 2 Output

Fig. 2

Please check the correct Fan rotation after connecting to the system.