

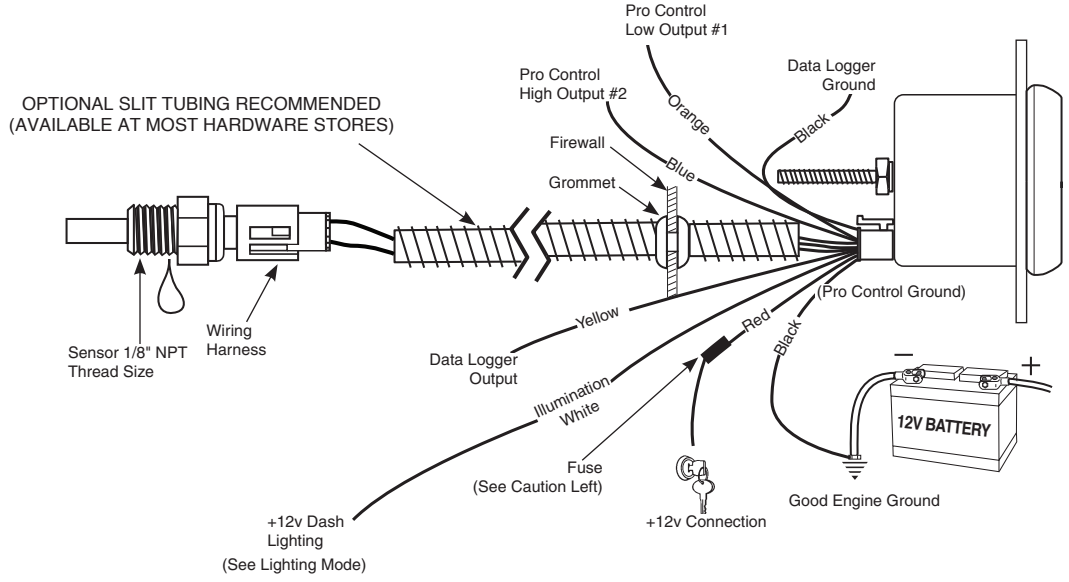
PRO-CONTROL STEPPER MOTOR TEMPERATURE GAUGE

2650-1422-00rB



USE TEFLON SEALING TAPE OR SEALING COMPOUND ON PIPE THREADS

CAUTION!
As a safety precaution, the +12V terminal of this product should be fused before connecting to the 12V ignition switch. We recommend using a 1 Amp, 3AG fast-acting type cartridge fuse.



Installation

NOTE: Some late model vehicles use electronic sensors in their pressure and temperature sensors for engine control functions. Before removing the original sensor, we recommend that you contact your automotive dealer to be sure no critical functions will be disrupted.

1. Check that you have all parts required for installation, and the engine is cool.
2. Disconnect the negative (-) battery cable.
3. Gauge mounts in a 52.4mm hole. Use supplied brackets and nuts to secure gauge to dash.
4. Drill 25.4mm diameter hole where wires pass through sheet metal (such as firewall) and install rubber grommet provided. (Grommet will require slit.)
5. Connect the white wire to dash lighting or switchable 12v light source, the red wire to switched +12V source and the black wire to ground.(see diagram for details)
6. Install temperature sensor.
 - A. Water Temp: Install temperature sensor.
Note: Included sensor is 1/8" NPT. For 3/8" NPT or 1/2" NPT ports, use included adapter.
 - B. Trans. Temp: Hole may have to be drilled, and adapter

7. Cut end of included dielectric grease packet, and squeeze grease into connector of temperature sensor prior to connecting harness. (Important: This will protect connection from dirt and moisture.)
8. Connect red wire to switched +12V source and the black wire to ground. (see diagram for details)
9. Reconnect negative (-) battery cable.

NOTE: Test all fittings and connections for leaks. If any leaks are detected, determine the cause of the leak and repair. Do not operate vehicle if any leaks are detected.

Caution: LUBRIPLATE® DS-ES is a non-hazardous substance. However, it is recommended to wash hands thoroughly after use.

NOTE: Do not remove factory temp sensor to install temp sensor. If no location found, a hose adapter can be used.

NOTE: When the ignition is off the pointer may not always rest at zero.

Power-Up

The pointer will move counter clockwise to the stop pin and then moves to the current gauge reading. This procedure is an auto-calibration function and is performed on every power-up. While this test is being performed, the gauge may make a clicking sound. This is normal.

Peak Recall

Press and hold the **PEAK** button to recall the highest temperature reading since the memory was last cleared. To clear the memory, press and hold the **PEAK** button, and while still holding the **PEAK** button, press the **WARN** button. The pointer will move to the stop pin to indicate that the memory has been cleared. Release the **PEAK** and **WARN** buttons to resume normal operation. The peak recall point is retained when power is removed from the gauge.

Full Dial Warning

This gauge features full dial warning. When a warning point is reached, the entire dial illuminates in the programmed warning color. This feature is available for both a high and low warning set point. In addition, the warning color will flash when an over warn point is reached.

Pro Control High Warning Set Point

To adjust the high warning set point, press and release the **WARN** button. The warning light will begin to flash and the pointer will move to the previous high warning set point signifying that warning set mode has been selected. Once in set mode, press the **WARN** button to move the pointer down, or press the **PEAK** button to move the pointer up. Three seconds after the last button press, the warning light will stop flashing and the pointer will return to the current reading. The warning set points are retained when power is removed from the gauge.

Pro Control High Over Warn Set Point

To adjust the high over warn set point, press and hold the **WARN** button. After three seconds the warning light will begin to flash and the pointer will move to the previous high over warning set point signifying that over warn set mode has been selected. Release the warn button. Once in set mode, press the **WARN** button to move the pointer down, or press the **PEAK** button to move the pointer up. Three seconds after the last button press, the warning light will stop flashing and the pointer will return to the current reading. The over warn set points are retained when power is removed from the gauge.

Pro Control Low Warning Set Point

To adjust the low warning set point, press and hold the **WARN** button, and while still holding the **WARN** button, press and release the **PEAK** button. The warning light will begin to flash and the pointer will move to the previous low warning set point signifying that warning set mode has been selected. Once in set mode, press the **WARN** button to move the pointer down, or press the **PEAK** button to move the pointer up. Three seconds after the last button press, the warning light will stop flashing and the pointer will return to the current reading. The warning set points are retained when power is removed from the gauge.

Pro Control Low Over Warn Set Point

To adjust the low over warn set point, press and hold the **WARN** button, and while still holding the **WARN** button, immediately press and hold the **PEAK** button. After three seconds the warning light will begin to flash and the pointer will move to the previous low over warning set point signifying that over warn set mode has been selected. Release both buttons. Once in set mode, press the **WARN** button to move the pointer down, or press the **PEAK** button to move the pointer up. Three seconds after the last button press, the warning light will stop flashing and the pointer will return to the current reading. The over warn set points are retained when power is removed from the gauge.

Change Backlight Color

To change the backlight color:

With power off, press and hold the warning button. Apply power to the gauge. Release the **WARN** button. Press and release the **PEAK** button. The pointer will move to half scale and the dial will illuminate with the current Backlight Color. Press and hold the **PEAK** button to cycle through the available colors. Once you have selected the desired color, release **PEAK** and don't press any buttons for about three seconds. The dial will flicker white several times to indicate the desired setting has been saved and the gauge will return to normal operation with your new color selection. Color selections are saved when power is off.

Change Low Warn Color

(Region A color)

Warn Color Set Mode:

With power off, press and hold the **WARN** button. Apply power to the gauge. Release the **WARN** button. The pointer will be at the stop pin and the dial illumination will be off. Press and release the **WARN** button to cycle between **HIGH** warn color set and **LOW** warn color set modes. In High Warn color set mode, the pointer will move to full scale and the dial will illuminate with the current High Warn color. In Low Warn color set mode, the pointer moves to the minimum position and the dial will illuminate with the current Low Warn color.

To change Low Warn Color:

When the Low Warn color set mode has been selected (see above), press and **HOLD** the **WARN** button to cycle through the available colors. Once you have selected the desired color, release the **WARN** button. Don't press any buttons for about three seconds. The dial will flicker white several times to indicate the desired setting has been saved and the gauge will return to normal operation with your new Low Warn color selection. Color selections are saved when power is off.

Change High Warn Color

(Region C color)

Warn Color Set Mode:

With power off, press and hold the **WARN** button. Apply power to the gauge. Release the **WARN** button. The pointer will be at the stop pin and the dial illumination will be off. Press and release the **WARN** button to cycle between **HIGH** warn color set and **LOW** warn color set modes. In High warn color set mode, the pointer will move to full scale and the dial will illuminate with the current High Warn color. In Low Warn color set mode, the pointer moves to the minimum position and the dial will illuminate with the current Low Warn color.

To change High Warn Color:

When the High Warn color set mode has been selected (see above), press and hold the **WARN** button to cycle through the available colors. Once you have selected the desired color, release the **WARN** button. Don't press any buttons for about three seconds. The dial will flicker white several times to indicate the desired setting has been saved and the gauge will return to normal operation with your new High Warn color selection. Color selections are saved when power is off.

Lighting Mode

(Region B Color)

This gauge allows the dial lighting to operate in two modes, Full On or Dimmable. Factory default is Full On.

Full On: In this mode, the white lighting wire is ignored. The gauge dial lighting is always on at full brightness. (unless you select NO color when setting the Backlight Color). If using Full On mode, white wire hook-up is not needed.

Dimmable: In this mode, the white wire is used to set the intensity of the dial lighting from full brightness down to off.

To change the Lighting Mode:

With power off, press and hold the **PEAK** button. Apply power to the gauge. Release the **PEAK** button and the dial face will illuminate with either white lighting or blue lighting. Press and release the PEAK button to toggle between Full On (dial is illuminated white) and Dimmable (dial is illuminated blue). Once you have selected the desired mode, don't press any buttons for about three seconds. The dial will flicker white several times to indicate the desired setting has been saved and the gauge will return to normal operation with your new mode selection. Mode selections are saved when power is off.

Data Logger Output

This gauge is equipped to output the sensor signal to an external data logger system. This feature allows you to use the same sensor for both the gauge and the data logger. With this gauge, it is not necessary to install two sensors to measure the same function.

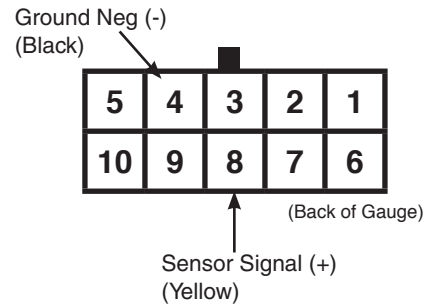
To use this feature, you must have a data logger system installed in the vehicle and connect the data logger output from the gauge to the data logger. Pins number 4 (black wire, ground) and 8 (yellow wire, sensor signal) in the connector on the back of the gauge are the data logger sensor signal and ground connections that must be connected to the data logger. After connecting the gauge to the data logger, refer to your data logger instruction on how to calibrate the data logger to use the signal.

Quick Calibration:

Use the voltage in the 'DL Vout' column to calibrate your data logger over the desired temp range.

DATA LOGGER CALIBRATION CHART

	Temp (°F)	Temp (°C)	DL Vout	N		Temp (°F)	Temp (°C)	DL Vout	N
Point 1	60	15	0.510	418	Point 10	200	93	3.333	2730
Point 2	80	26	0.791	648	Point 11	220	104	3.662	3000
Point 3	100	37	1.174	962	Point 12	240	115	3.937	3225
Point 4	120	48	1.594	1306	Point 13	250	121	4.056	3323
Point 5	130	54	1.810	1483	Point 14	260	126	4.155	3404
Point 6	140	60	2.030	1663	Point 15	280	137	4.342	3557
Point 7	160	71	2.507	2054	Point 16	310	154	4.535	3715
Point 8	180	82	2.938	2407	Point 17	340	171	4.668	3824
Point 9	190	87	3.145	2576					



Calibration For More Accuracy:

Follow these steps to obtain a more accurate calibration.

On the side of the gauge is a label that reads 'Data Logger = x.xxx' where x.xxx is a number. This number is Vs in the following equation.

$$DL\ Vout = N \times Vs / 4096$$

Gauge Reset

It may be desired to reset the gauge. This clears programmable settings to a system default. With power off, hold in both buttons. Apply power to the gauge, wait two seconds, and release both buttons. The dial face will flicker white several times and return to normal operation. At this point, the gauge has been reset.

Reset Settings:

High Warning Set Point: Max Value
Low Warning Set Point: Lowest Value

Pro Control Active States

The active region for Pro Control outputs are user configurable. For example, consider a pressure gauge with a low warning set point at 20 PSI. The gauge can be configured so the associated Pro Control output is active when the pointer falls below the set point [less than 20 PSI] (active low) OR when the pointer is beyond the set point [greater than 20 PSI] (active high). Likewise, consider a pressure gauge with high warning set point at 95 PSI. Again, the gauge can be configured so the associated Pro Control is active when the pointer falls below the set point [less than 95 PSI] (active low) OR when the pointer progresses beyond the set point [greater than 95 PSI] (active high).

To change the active state:

With power off, press and hold the **PEAK** button. Apply power to the gauge. Release the **PEAK** button. Press and release the **WARN** button. The gauge is now in Active State Set Mode. The pointer will point straight up at the value in the top center of the dial. Press and release the **WARN** button to toggle back and forth between the low and

- Peak: Lowest Value
- High Warning Color: Red
- Low Warning Color: Green
- Backlighting Color: White
- Lighting Mode: Full On
- High Warning Pro Control State: Active High
- Low Warning Pro Control State: Active Low
- High Over Warn Set Point: Max Value
- Low Over Warn Set Point: Lowest Value

high warning point active state modes. Doing so will cause the dial to change back and forth between green and red. When setting the low warning active state the dial face will be green. When setting the high warning active state the dial face will be red.

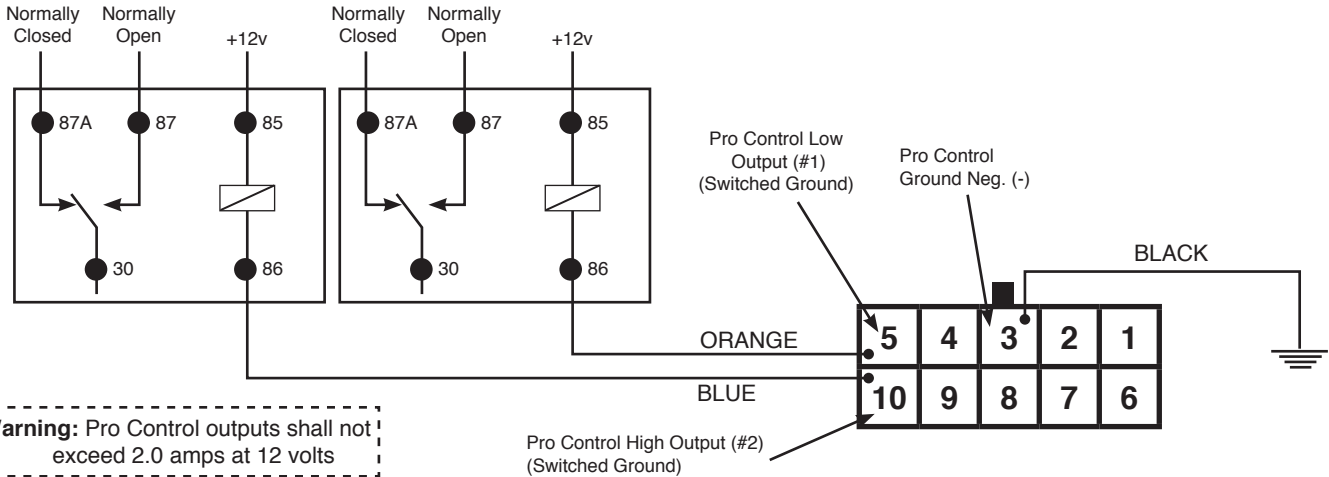
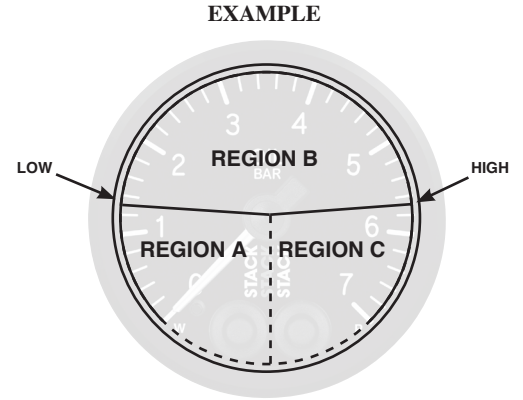
Once the designated warning mode is selected (green or red) press and hold the **WARN** button to toggle between active high and active low. As you hold the button the pointer will continuously sweep from the left of center and to the right of center pausing at each side. Left of center is active low and right of center is active high. Release the **WARN** button when the pointer is in the position of the desired active state. Once you have selected the desired state, don't press any buttons for about three seconds. The dial will flicker white several times to indicate the desired setting has been saved and the gauge will return to normal operation with your new state selection. State selections are saved when power is off.

NOTE: The Pro Control Active State does not affect the color of each dial region.

Pro Control

The Pro Control feature activates a switched ground output at a user defined set point. Pro Control can be used to switch on a relay to activate ignition kill, cooling fans, lamps, alarms, etc. The set points define three regions on the gauge dial, the region below the low set point, between the set points, and above the high set point.

Low Set Point - ACTIVE STATE LOW (ORANGE WIRE)				
Pointer Region	Pro Control Output #1	Normally Open Contact	Normally Closed Contact	Dial Color
A	Active (ON)	CLOSED (ON)	OPEN (OFF)	Low Warn Color
B	OFF	OPEN (OFF)	CLOSED (ON)	Backlight Color
C	OFF	OPEN (OFF)	CLOSED (ON)	High Warn Color
Low Set Point - ACTIVE STATE HIGH (ORANGE WIRE)				
Pointer Region	Pro Control Output #1	Normally Open Contact	Normally Closed Contact	Dial Color
A	OFF	OPEN (OFF)	CLOSED (ON)	Low Warn Color
B	Active (ON)	CLOSED (ON)	OPEN (OFF)	Backlight Color
C	Active (ON)	CLOSED (ON)	OPEN (OFF)	High Warn Color
High Set Point - ACTIVE STATE HIGH (BLUE WIRE)				
Pointer Region	Pro Control Output #2	Normally Open Contact	Normally Closed Contact	Dial Color
A	OFF	OPEN (OFF)	CLOSED (ON)	Low Warn Color
B	OFF	OPEN (OFF)	CLOSED (ON)	Backlight Color
C	Active (ON)	CLOSED (ON)	OPEN (OFF)	High Warn Color
High Set Point - ACTIVE STATE LOW (BLUE WIRE)				
Pointer Region	Pro Control Output #2	Normally Open Contact	Normally Closed Contact	Dial Color
A	Active (ON)	CLOSED (ON)	OPEN (OFF)	Low Warn Color
B	Active (ON)	CLOSED (ON)	OPEN (OFF)	Backlight Color
C	OFF	OPEN (OFF)	CLOSED (ON)	High Warn Color



WARRANTY

Stack Limited warrants this product (excepting associated sensors which are consumable items) to be free from defects caused by faulty materials or poor workmanship for 1 year from the date of consumer purchase. This warranty applies only to the original purchaser of product and is non-transferable. All implied warranties shall be limited in duration to the said warranty periods above. Breaking the instrument seal, improper use or installation, accident, water damage, abuse, unauthorized repairs or alterations voids this warranty. Stack Limited disclaims any liability for consequential damages due to breach of any written or implied warranty on all products manufactured by Stack Limited.


FOR COMPLETE OPERATIONS GUIDE PLEASE VISIT: WWW.STACKLTD.COM

Stack Ltd. Wedgwood Road Bicester OX26 4UL UK

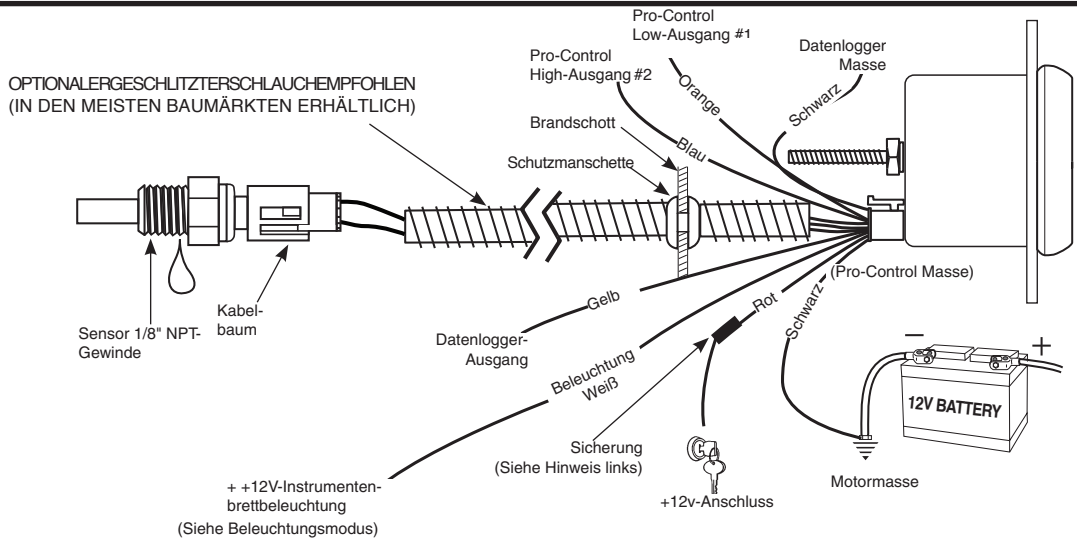
T : +44 (0) 1869 240404

F : +44 (0) 1869 245500

E : sales@stackltd.com

 **VERWENDEN SIE TEFLON-DICHTUNGSBAND ODER DICHTUNGSMITTEL BEI ROHRGEWINDEN**

ACHTUNG!
Als Schutzmaßnahme muss der +12V-Anschluss dieses Produktes abgesichert werden, bevor er an den 12V-Zündschalter angeschlossen wird. Wir empfehlen eine flinke 3AG-Patronensicherung, 1A.



Einbau

Anmerkung: In neueren Fahrzeugen sind als Druck- und Temperatursensoren elektronische Sensoren für die Motorsteuerungsfunktion eingebaut. Vor dem Ausbau des Originalsensors empfehlen wir Ihnen, mit Ihren Fahrzeughändler Kontakt aufzunehmen, um sicher-zugehen, dass keine wichtigen Funktionen ausgesetzt werden.

- Überprüfen Sie, dass alle für die Montage erforderlichen Teile vorliegen und dass der Motor kalt ist.
- Klemmen Sie das negative (-) Batteriekabel ab.
- Das Messgerät wird in einer 52,4mm-Bohrung montiert. Verwenden Sie die mitgelieferten Halterungen und Sicherungsmuttern, um das Gerät im Instrumentenbrett zu sichern.
- Bohren Sie ein Loch mit einem Durchmesser von 25,4mm für die Blech- Kabeldurchführung (z.B. beim Brandschott) und montieren Sie die mitgelieferte Schutzmanschette. (Manschette muss über einen Schlitz verfügen.)
- Schließen Sie das weiße Kabel an die Instrumentenbrettbeleuchtung oder eine schaltbare 12V Lichtquelle, das rote Kabel an eine geschaltete +12V-Quelle und das schwarze Kabel an Masse an. (Details sind dem Kabeldiagramm zu entnehmen)

6. Bauen Sie den Temperatursensor ein.

- Wassertemperatur: Bauen Sie den Temperatursensor ein. **Anmerkung:** Der mitgelieferte Sensor besitzt ein 1/8" NPT-Gewinde. Für 3/8" NPT- oder 1/2" NPT-Anschlüsse ist der mitgelieferte Adapter zu verwenden.
- Getriebeöl-Temperatur: Eventuell ist es erforderlich, ein Loch zu bohren und die Adaptermutter anzuschweißen bzw. anzulöten. Achten Sie auf ein angemessenes Innenspiel zwischen Mutter und Sensor.

- Schneiden Sie das Paket mit der dielektrischen Schmiere auf und drücken Sie, bevor Sie die Kabel anschließen, Schmiere in den Stecker des Temperatursensors. (Wichtig: Damit wird der Stecker vor Schmutz und Feuchtigkeit geschützt.)
- Schließen Sie das rote Kabel an eine geschaltete +12V-Quelle und das schwarze Kabel an Masse. (Details sind dem Schaltplan zu entnehmen)
- Schließen Sie das negative (-) Batteriekabel wieder an.

Anmerkung: Überprüfen Sie alle Verbindungsstücke und Anschlüsse auf Undichtigkeiten. Ermitteln Sie die Ursache von Undichtigkeiten und führen Sie die erforderlichen Reparaturen aus. Benutzen Sie ein Fahrzeug nie, wenn Undichtigkeiten festgestellt wurden.

WARNUNG: LUBRIPLATE® DS-ES ist eine ungefährliche Substanz. Dennoch ist es empfehlenswert, sich nach der Verwendung gründlich die Hände zu waschen.

Anmerkung: Bei ausgeschalteter Zündung ist es möglich, dass der Zeiger nicht immer auf Null steht.

Anmerkung: Bauen Sie keinen werkseitig montierten Temperatursensor aus, um den Temperatursensor einzubauen. Falls keine geeignete Montagestelle vorhanden ist, kann ein Schlauchadapter verwendet werden.

Einschalten

Der Zeiger bewegt sich zuerst zurück zum Anschlagstift und zeigt anschließend den aktuellen Messwert an. Hierbei handelt es sich um eine Autokalibrierungsfunktion, die bei jedem Einschalten ausgeführt wird. Bei der Ausführung dieses Tests können beim Messgerät Klickgeräusche zu hören sein. Diese Geräusche sind normal.

Spitzenwert-Aufruffunktion

Drücken und halten Sie die **PEAK**-Taste, um die höchste gemessene Temperatur seit dem letzten Löschvorgang des Speichers aufzurufen. Zum Löschen des Speichers drücken und halten Sie die **PEAK**-Taste und drücken Sie gleichzeitig die **WARN**-Taste. Der Zeiger bewegt sich zurück zum Anschlagstift, um anzuzeigen, dass der Speicher gelöscht wurde. Lösen Sie die **PEAK**- und **WARN**-Taste, um zum Normalbetrieb zurückzukehren. Der Spitzenwert wird bei Abschalten des Messgerätes gespeichert.

Vollbildwarnung

Dieses Messgerät besitzt eine Vollbild-Warnfunktion. Wird ein Grenzwert erreicht, dann leuchtet die volle Skala in der programmierten Warnfarbe. Diese Funktion ist sowohl für einen oberen als auch für einen unteren Warngrenzwert verfügbar. Wenn ein Wert über dem Warngrenzwert erreicht wird, beginnt das Warnlicht zu blinken.

Pro-Control Oberer Warngrenzwert

Zur Einstellung des oberen Warngrenzwertes drücken Sie kurz die **WARN**-Taste. Das Warnlicht beginnt zu blinken und der Zeiger bewegt sich zum vorherigen oberen Warngrenzwert, um anzuzeigen, dass der Warnungs-Einstellmodus gewählt wurde. Drücken Sie in diesem Einstellmodus die **WARN**-Taste, um den Zeiger nach unten zu bewegen, oder drücken Sie die **PEAK**-Taste, um den Zeiger nach oben zu bewegen. Drei Sekunden nach der letzten Tastenbetätigung hört das Warnlicht auf zu blinken und der Zeiger kehrt zum aktuellen Messwert zurück. Die Warngrenzwerte werden bei Abschalten des Messgerätes gespeichert.

Pro-Control Obere Grenzwertüberschreitung

Zur Einstellung der oberen Grenzwertüberschreitung drücken und halten Sie die **WARN**-Taste. Nach drei Sekunden beginnt das Warnlicht zu blinken und der Zeiger bewegt sich zur vorherigen oberen Grenzwertüberschreitung, um anzuzeigen, dass der Grenzwertüberschreitungs-Einstellmodus gewählt wurde. Lösen Sie die **WARN**-Taste. Drücken Sie in diesem Einstellmodus die **WARN**-Taste, um den Zeiger nach unten zu bewegen, oder drücken Sie die **PEAK**-Taste, um den Zeiger nach oben zu bewegen. Drei Sekunden nach der letzten Tastenbetätigung hört das Warnlicht auf zu blinken und der Zeiger kehrt zum aktuellen Messwert zurück. Die Werte der oberen Grenzwertüberschreitung werden bei Abschalten des Messgerätes gespeichert.

Pro-Control Unterer Warngrenzwert

Zur Einstellung des unteren Warngrenzwertes drücken und halten Sie die **WARN**-Taste. Während Sie die **WARN**-Taste gedrückt halten, drücken Sie kurz die **PEAK**-Taste. Das Warnlicht beginnt zu blinken und der Zeiger bewegt sich zum vorherigen unteren Warngrenzwert, um anzuzeigen, dass der Warngrenzwert-Einstellmodus gewählt wurde. Drücken Sie in diesem Einstellmodus die **WARN**-Taste, um den Zeiger nach unten zu bewegen, oder drücken Sie die **PEAK**-Taste, um den Zeiger nach oben zu bewegen. Drei Sekunden nach der letzten Tastenbetätigung hört das Warnlicht auf zu blinken und der Zeiger kehrt zum aktuellen Messwert zurück. Die Warngrenzwerte werden bei Abschalten des Messgerätes gespeichert.

Pro-Control Untere Grenzwertüberschreitung

Zur Einstellung der unteren Grenzwertüberschreitung drücken und halten Sie die **WARN**-Taste. Während Sie die **WARN**-Taste gedrückt halten, drücken Sie kurz die **PEAK**-Taste. Nach drei Sekunden beginnt das Warnlicht zu blinken und der Zeiger bewegt sich zur vorherigen unteren Grenzwertüberschreitung, um anzuzeigen, dass der Grenzwertüberschreitungs-Einstellmodus gewählt wurde. Lösen Sie beide Tasten. Drücken Sie in diesem Einstellmodus die **WARN**-Taste, um den Zeiger nach unten zu bewegen, oder drücken Sie die **PEAK**-Taste, um den Zeiger nach oben zu bewegen. Drei Sekunden nach der letzten Tastenbetätigung hört das Warnlicht auf zu blinken und der Zeiger kehrt zum aktuellen Messwert zurück. Die Werte der unteren Grenzwertüberschreitung werden bei Abschalten des Messgerätes gespeichert.

Farbe der Hintergrundbeleuchtung ändern

So ändern Sie die Farbe der Hintergrundbeleuchtung:

Drücken und halten Sie bei abgeschaltetem Gerät die **WARN**-Taste. Schalten Sie das Messgerät ein. Lösen Sie die **WARN**-Taste. Drücken Sie kurz die **PEAK**-Taste. Der Zeiger bewegt sich zur Mitte der Skala und die Skala leuchtet in der aktuellen Hintergrundfarbe. Drücken und halten Sie die **PEAK**-Taste, um die verfügbaren Farben anzuzeigen. Wenn Sie die gewünschte Farbe gewählt haben, lösen Sie die **PEAK**-Taste und betätigen Sie für etwa drei Sekunden keine der Tasten. Die Skala flackert ein paar Mal weiß auf, um anzuzeigen, dass die gewünschte Einstellung gespeichert wurde. Anschließend kehrt das Messgerät mit der neuen Farbauswahl in den Normalbetrieb zurück. Die gewählte Farbe wird bei Ausschalten des Messgerätes gespeichert.

Farbe für Warnung Unterer Grenzwert ändern

(Farbe für Bereich A)

Einstellmodus für Warnfarbe:

Drücken und halten Sie bei abgeschaltetem Gerät die **WARN**-Taste. Schalten Sie das Messgerät ein. Lösen Sie die **WARN**-Taste. Der Zeiger befindet sich am Anschlagstift und die Skalenbeleuchtung ist aus. Drücken und halten Sie die **WARN**-Taste, um zwischen den Farbeinstellungen für Warnung **OBERER GRENZWERT** und Warnung **UNTERER GRENZWERT** umzuschalten. Im Einstellmodus der Farbe für Warnung Oberer Grenzwert bewegt sich der Zeiger bis zum Ende der Skala und die Skala wird mit der aktuellen Farbe für Warnung Oberer Grenzwert beleuchtet. Im Einstellmodus der Farbe für Warnung Unterer Grenzwert bewegt sich der Zeiger zum unteren Ende der Skala und die Skala wird mit der aktuellen Farbe für Warnung Unterer Grenzwert beleuchtet.

So ändern Sie die Farbe für Warnung Unterer Grenzwert:

Wenn der Farbeinstellmodus für Warnung Unterer Grenzwert gewählt wurde (siehe oben), drücken und halten Sie die **WARN**-Taste, um die verfügbaren Farben anzuzeigen. Wenn Sie die gewünschte Farbe gewählt haben, lösen Sie die **WARN**-Taste. Drücken Sie für etwa drei Sekunden keine der Tasten. Die Skala flackert ein paar Mal weiß auf, um anzuzeigen, dass die gewünschte Einstellung gespeichert wurde. Anschließend kehrt das Messgerät mit der neuen Farbauswahl für Warnung Unterer Grenzwert in den Normalbetrieb zurück. Die gewählte Farbe wird bei Ausschalten des Messgerätes gespeichert.

Farbe für Warnung Oberer Grenzwert ändern

(Farbe für Bereich C)

Einstellmodus für Warnfarbe:

Drücken und halten Sie bei abgeschaltetem Gerät die **WARN**-Taste. Schalten Sie das Messgerät ein. Lösen Sie die **WARN**-Taste. Der Zeiger befindet sich am Anschlagstift und die Skalenbeleuchtung ist aus. Drücken und halten Sie die **WARN**-Taste, um zwischen den Farbeinstellungen für Warnung **OBERER GRENZWERT** und Warnung **UNTERER GRENZWERT** umzuschalten. Im Einstellmodus der Farbe für Warnung Oberer Grenzwert bewegt sich der Zeiger bis zum Ende der Skala und die Skala wird mit der aktuellen Farbe für Warnung Oberer Grenzwert beleuchtet. Im Einstellmodus der Farbe für Warnung Unterer Grenzwert bewegt sich der Zeiger zum unteren Ende der Skala und die Skala wird mit der aktuellen Farbe für Warnung Unterer Grenzwert beleuchtet.

So ändern Sie die Farbe für Warnung Oberer Grenzwert:

Wenn der Farbeinstellmodus für Warnung Oberer Grenzwert gewählt wurde (siehe oben), drücken und halten Sie die **WARN**-Taste, um die verfügbaren Farben anzuzeigen. Wenn Sie die gewünschte Farbe gewählt haben, lösen Sie die **WARN**-Taste. Drücken Sie für etwa drei Sekunden keine der Tasten. Die Skala flackert ein paar Mal weiß auf, um anzuzeigen, dass die gewünschte Einstellung gespeichert wurde. Anschließend kehrt das Messgerät mit der neuen Farbauswahl für Warnung Oberer Grenzwert in den Normalbetrieb zurück. Die gewählte Farbe wird bei Ausschalten des Messgerätes gespeichert.

Beleuchtungsmodus

(Farbe für Bereich B)

Bei diesem Messgerät kann die Skala auf zwei unterschiedliche Arten beleuchtet werden: Volle Helligkeit oder Dimmbar. Die werkseitige Einstellung ist Volle Helligkeit.

Volle Helligkeit: In diesem Modus wird das weiße Beleuchtungskabel nicht verwendet. Die Skalenbeleuchtung des Messgerätes leuchtet immer mit voller Helligkeit. (außer Sie wählen KEINE Farbe bei Einstellung der Hintergrundfarbe). Bei Verwendung des Modus Volle Helligkeit wird das weiße Kabel nicht benötigt.

Dimmbar: In diesem Modus wird das weiße Kabel dazu verwendet, die Intensität der Skalenbeleuchtung im Bereich zwischen voller Helligkeit und Beleuchtung aus einzustellen.

So ändern Sie den Beleuchtungsmodus:

Drücken und halten Sie bei abgeschaltetem Gerät die **PEAK**-Taste. Schalten Sie das Messgerät ein. Wenn Sie die **PEAK**-Taste lösen, leuchtet die Skala entweder weiß oder blau. Drücken und halten Sie die **PEAK**-Taste, um zwischen den Modi Volle Helligkeit (Skala leuchtet weiß) und Dimmbar (Skala leuchtet blau) umzuschalten. Wenn Sie den gewünschten Modus gewählt haben, drücken Sie für etwa drei Sekunden keine der Tasten. Die Skala flackert ein paar Mal weiß auf, um anzuzeigen, dass die gewünschte Einstellung gespeichert wurde. Anschließend kehrt das Messgerät mit dem gewählten Modus in den Normalbetrieb zurück. Der gewählte Modus wird bei Abschalten des Messgerätes gespeichert.

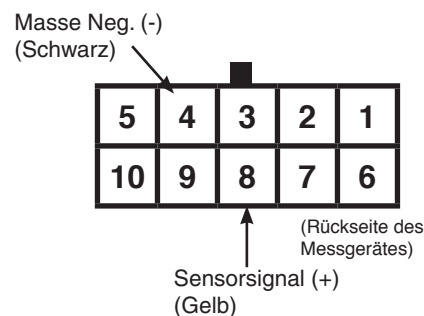
Datenlogger-Ausgang

Dieses Messgerät kann das Sensorsignal an ein externes Datenloggersystem ausgeben. Dank dieser Funktion können Sie denselben Sensor sowohl für das Messgerät als auch für den Datenlogger verwenden, so müssen für die Messung derselben Funktion keine zwei Sensoren installiert werden.

Um diese Funktion verwenden zu können, muss ein Datenloggersystem im Fahrzeug eingebaut und an den Datenlogger-Ausgang des Messgerätes angeschlossen sein. Die Kontakte Nummer 4 (schwarzes Kabel, Masse) und 8 (gelbes Kabel, Sensorsignal) in der Anschlussbuchse an der Rückseite des Messgerätes sind die Anschlüsse für das Sensorsignal und Masse des Datenloggers, die mit dem Datenlogger verbunden werden müssen. Nach Anschluss des Messgerätes an den Datenlogger müssen Sie den diesen gemäß der Bedienungsanleitung kalibrieren, um das Signal zu verwenden.

Schnelle Kalibrierung: Verwenden Sie die Spannung aus der Spalte 'DL Vout', um den Datenlogger über den gewünschten Temperaturbereich zu kalibrieren.

KALIBRIERUNGSTABELLE FÜR DATENLOGGER									
	Temperatur (°F)	Temperatur (°C)	DL Vout	N		Temperatur (°F)	Temperatur (°C)	DL Vout	N
Punkt 1	60	15	0,510	418	Punkt 10	200	93	3,333	2730
Punkt 2	80	26	0,791	648	Punkt 11	220	104	3,662	3000
Punkt 3	100	37	1,174	962	Punkt 12	240	115	3,937	3225
Punkt 4	120	48	1,594	1306	Punkt 13	250	121	4,056	3323
Punkt 5	130	54	1,810	1483	Punkt 14	260	126	4,155	3404
Punkt 6	140	60	2,030	1663	Punkt 15	280	137	4,342	3557
Punkt 7	160	71	2,507	2054	Punkt 16	310	154	4,535	3715
Punkt 8	180	82	2,938	2407	Punkt 17	340	171	4,668	3824
Punkt 9	190	87	3,145	2576					



Kalibrierung für höhere Genauigkeit:

Führen Sie die folgenden Schritte durch, um eine genauere Kalibrierung zu erzielen.

Auf der Seite des Messgerätes befindet sich ein Typenschild mit dem Aufdruck 'Data Logger = x.xxx', wobei x.xxx eine Zahl ist.

Diese Zahl stellt Vs in der folgenden Formel dar. DL Vout = N x Vs / 4096

Messgerät rücksetzen

Bei Bedarf kann eine Rücksetzung des Messgerätes durchgeführt werden. Bei diesem Vorgang werden programmierbare Einstellungen gelöscht und Voreinstellungen des Messgerätes aufgerufen. Halten Sie bei abgeschaltetem Messgerät beide Tasten gedrückt.

Schalten Sie das Messgerät ein, warten Sie zwei Sekunden und lösen Sie beide Tasten. Die Skala flackert ein paar Mal weiß auf und kehrt in den Normalbetrieb zurück. Die Rücksetzung des Messgerätes ist nun abgeschlossen.

Einstellungen für das Rücksetzen: Oberer Grenzwert: Höchster Wert
Unterer Grenzwert: Niedrigster Wert

Pro-Control Aktive Zustände

Der aktive Bereich für Pro-Control-Ausgänge können vom Nutzer konfiguriert werden. Als Beispiel soll ein Druckmessgerät mit einem unteren Grenzwert von 20 PSI dienen. Das Messgerät kann so konfiguriert werden, dass der dazugehörige Pro-Control-Ausgang aktiv ist, wenn der Zeiger unter dem Grenzwert [unter 20 PSI] (Active Low) ODER über dem Grenzwert [über 20 PSI] (Active High) liegt. Ein weiteres Beispiel ist ein Druckmessgerät mit einem oberen Grenzwert von 95 PSI. Auch hier kann das Messgeräts konfiguriert werden, dass der dazugehörige Pro-Control-Ausgang aktiv ist, wenn der Zeiger unter dem Grenzwert [unter 95 PSI] (Active Low) ODER über dem Grenzwert [über 95 PSI] (Active High) liegt.

So ändern Sie den aktiven Zustand:

Drücken und halten Sie bei abgeschaltetem Gerät die **PEAK**-Taste. Schalten Sie das Messgerät ein. Lösen Sie die **PEAK**-Taste. Drücken Sie kurz die **WARN**-Taste. Das Messgerät befindet sich nun im Einstellmodus Aktiver Zustand. Der Zeiger zeigt auf den Wert in der Mitte der Skala. Drücken und halten Sie die **WARN**-Taste, um zwischen dem aktiven Zustand des unteren und oberen Grenzwertes umzuschalten. Dabei

- Spitze: Niedrigster Wert
- Farbe Oberer Grenzwert: Rot
- Farbe Unterer Grenzwert: Grün
- Farbe der Hintergrundbeleuchtung: Weiß
- Beleuchtungsmodus: Volle Helligkeit
- Pro-Control-Zustand, oberer Grenzwert: Active High
- Pro-Control-Zustand, unterer Grenzwert: Active Low
- Obere Grenzwertüberschreitung: Höchster Wert
- Untere Grenzwertüberschreitung: Niedrigster Wert

wechselt die Skala zwischen grün und rot. Wenn der aktive Zustand für den unteren Grenzwert eingestellt wird, ist die Oberfläche grün. Wenn der aktive Zustand für den oberen Grenzwert eingestellt wird, ist die Oberfläche rot.

Wenn Sie den gewünschten Warnmodus gewählt haben (grün oder rot), drücken und halten Sie die **WARN**-Taste, um zwischen Active High und Active Low umzuschalten. Wenn Sie die Taste gedrückt halten, wechselt der Zeiger fortlaufend von der linken zur rechten Seite der Skala und hält auf jeder Seite kurz an. Auf der linken Seite ist Active Low und auf der rechten Seite ist Active High. Lösen Sie die **WARN**-Taste, wenn der Zeiger auf der Seite des gewünschten aktiven Zustands steht. Haben Sie den gewünschten Zustand gewählt, dann drücken Sie für etwa drei Sekunden keine der Tasten. Die Skala flackert ein paar Mal weiß auf, um anzuzeigen, dass die gewünschte Einstellung gespeichert wurde. Anschließend kehrt das Messgerät in Ihrem gewählten Zustand in den Normalbetrieb zurück. Dieser Zustand wird bei Abschalten des Messgerätes gespeichert.

ANMERKUNG: DER PRO-CONTROL AKTIVE ZUSTAND WIRKT SICH NICHT AUF DIE FARBEN DER SKALENBEREICHE AUS.

Pro-Control

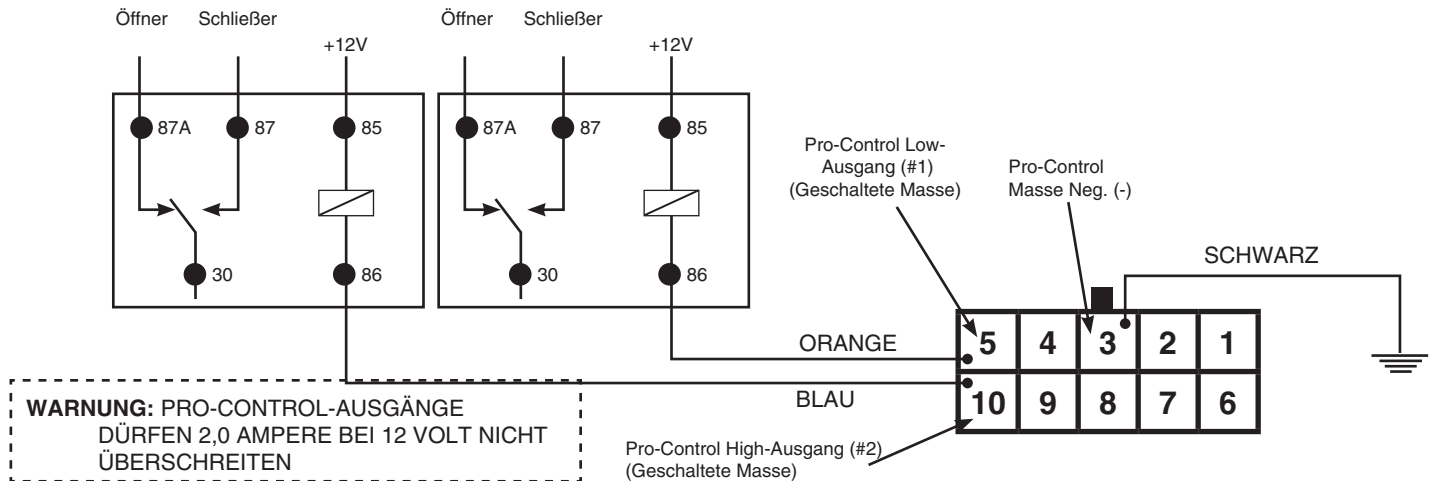
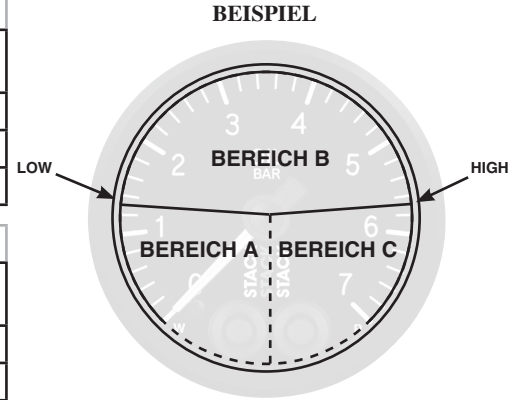
Die Pro-Control-Funktion aktiviert einen geschalteten Masseausgang bei einem benutzerdefinierten Sollwert. Pro-Control kann verwendet werden, um ein Relais zuzuschalten, um z.B. Zündunterbrechung, Kühlgebläse, Lampen, Alarmer etc. zu aktivieren. Die Sollwerte definieren drei Bereiche auf der Skala des Messgerätes: den Bereich unter dem Sollwert Low, den Bereich zwischen den Sollwerten und den Bereich über dem Sollwert High.

Sollwert Low - AKTIVER ZUSTAND LOW (ORANGES KABEL)				
Bereich des Zeigers	Pro-Control-Ausgang #1	Schließer	Öffner	Farbe der Skala
A	Aktiv (EIN)	GESCHLOSSEN(EIN)	OFFEN (AUS)	Farbe Unterer Grenzwert
B	AUS	OFFEN (AUS)	GESCHLOSSEN(EIN)	Hintergrundfarbe
C	AUS	OFFEN (AUS)	GESCHLOSSEN(EIN)	Farbe Oberer Grenzwert

Sollwert Low - AKTIVER ZUSTAND HIGH (ORANGES KABEL)				
Bereich des Zeigers	Pro-Control-Ausgang #1	Schließer	Öffner	Farbe der Skala
A	AUS	OFFEN (AUS)	GESCHLOSSEN(EIN)	Farbe Unterer Grenzwert
B	Aktiv (EIN)	GESCHLOSSEN(EIN)	OFFEN (AUS)	Hintergrundfarbe
C	Aktiv (EIN)	GESCHLOSSEN(EIN)	OFFEN (AUS)	Farbe Oberer Grenzwert

Sollwert High - AKTIVER ZUSTAND HIGH (BLAUES KABEL)				
Bereich des Zeigers	Pro-Control-Ausgang #2	Schließer	Öffner	Farbe der Skala
A	AUS	OFFEN (AUS)	GESCHLOSSEN(EIN)	Farbe Unterer Grenzwert
B	AUS	OFFEN (AUS)	GESCHLOSSEN(EIN)	Hintergrundfarbe
C	Aktiv (EIN)	GESCHLOSSEN(EIN)	OFFEN (AUS)	Farbe Oberer Grenzwert

Sollwert High - AKTIVER ZUSTAND LOW (BLAUES KABEL)				
Bereich des Zeigers	Pro-Control-Ausgang #2	Schließer	Öffner	Farbe der Skala
A	Aktiv (EIN)	GESCHLOSSEN(EIN)	OFFEN (AUS)	Farbe Unterer Grenzwert
B	Aktiv (EIN)	GESCHLOSSEN(EIN)	OFFEN (AUS)	Hintergrundfarbe
C	AUS	OFFEN (AUS)	GESCHLOSSEN(EIN)	Farbe Oberer Grenzwert



Garantie

Stack Limited garantiert für 1 Jahr ab Kaufdatum, dass dieses Produkt (mit Ausnahme der dazugehörigen Sensoren, die als Verschleißteile zählen) frei von Defekten ist, die durch fehlerhafte Werkstoffe oder schlechte Ausführung verursacht werden. Diese Garantie gilt nur für den Erstkäufer und ist nicht übertragbar. Die stillschweigende Mängelhaftung ist auf die Dauer der vorstehend aufgeführten Garantiezeit beschränkt. Durch Öffnen des Gerätesiegels, unsachgemäße Nutzung oder Einbau, Unfall, Wasserschäden, Missbrauch, nicht zugelassene Reparaturen oder Änderungen verfällt diese Garantie. Stack Limited lehnt jegliche Haftung für Folgeschäden ab, die durch Mißachtung der schriftlichen und stillschweigenden Garantie aller von Stack Limited hergestellten Produkte verursacht werden.

EINE VOLLSTÄNDIGE BEDIENUNGSANLEITUNG ERHALTEN SIE UNTER: WWW.STACKLTD.COM

Stack Ltd. Wedgwood Road Bicester OX26 4UL Grossbritannien

Tel.: +44 (0) 1869 240404

Fax: +44 (0) 1869 245500

E-Mail: sales@stackltd.com

JAUGE DE TEMPÉRATURE PRO CONTROL POUR MOTEUR PAS À PAS

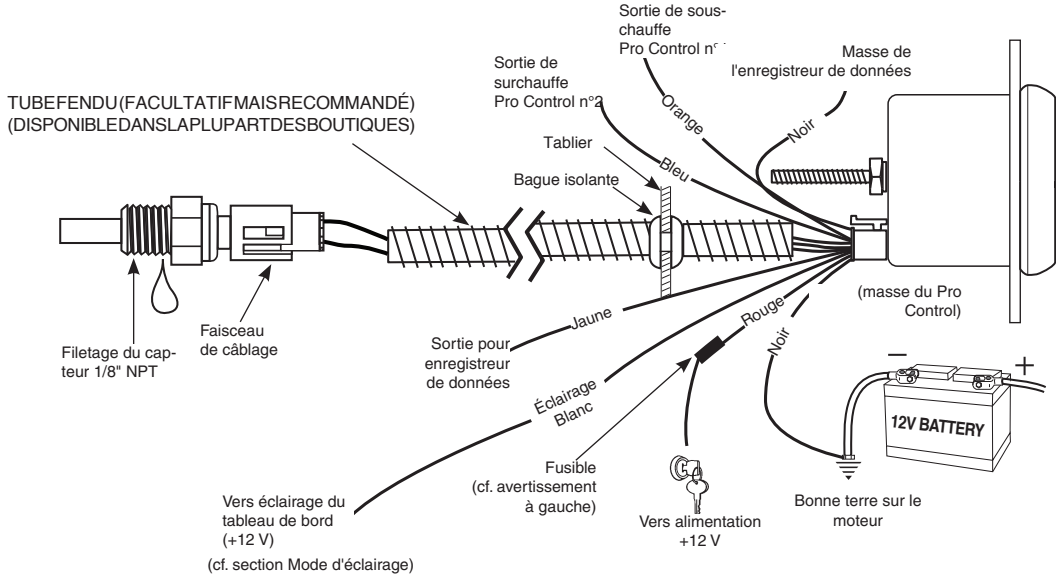
2650-1422-00rB



F

APPLIQUER DE LA BANDE D'ÉTANCHÉITÉ EN TÉFLON OU UN PRODUIT ÉTANCHÉIFIANT SUR LES FILETAGES DU TUBE

AVERTISSEMENT
Par mesure de sécurité, la borne +12 V de ce produit doit être protégée par un fusible avant d'être reliée au commutateur d'allumage 12 V. Nous recommandons d'utiliser un fusible à cartouche à action rapide 1 A de type 3AG.



Installation

REMARQUE : Certains véhicules récents intègrent des capteurs électroniques dans leurs systèmes de détection de température et de pression, destinés aux fonctions de contrôle du moteur. Avant de retirer le capteur d'origine, nous vous recommandons de contacter votre concessionnaire afin de vous assurer qu'aucune fonction critique ne s'en trouvera inopérante.

1. Vérifiez que vous disposez de tous les éléments requis pour l'installation et que le moteur est froid.
2. Débranchez le câble négatif (-) de la batterie.
3. La jauge s'installe dans un trou de 52,4 mm de diamètre. Utilisez les équerres et écrous fournis pour fixer l'appareil au tableau de bord.
4. Percez un trou de 25,4 mm de diamètre à l'endroit où les fils traversent une feuille métallique (telle que le tablier) et installez la bague isolante en gomme fournie. (La bague isolante nécessite que le tube soit fendu.)
5. Reliez le fil blanc à l'éclairage du tableau de bord ou à une source d'éclairage 12 V commutable, le fil rouge au commutateur d'allumage +12 V et le fil noir à la terre. (Cf. schéma pour plus de détails.)
6. Installez le capteur de température.

- A. Température de l'eau : installez le capteur de température. Remarque : le filetage du capteur fourni est de type 1/8" NPT. En cas de filetage 3/8" NPT ou 1/2" NPT, utilisez l'adaptateur fourni.
- B. Température du liquide de transmission : il faudra peut-être percer un trou et souder ou braser un écrou adaptateur sur le bac. Assurez-vous de disposer d'un espace suffisant à l'intérieur pour l'écrou et le capteur.
7. Coupez l'extrémité du tube de graisse diélectrique et appliquez de la graisse dans le connecteur du capteur de température avant de relier le faisceau. (Important : cela protégera le branchement de la poussière et de l'humidité.)
8. Reliez le fil rouge au commutateur d'allumage +12 V et le fil noir à la terre. (Cf. schéma pour plus de détails.)
9. Rebranchez le câble négatif (-) de la batterie.

REMARQUE : Vérifiez l'absence de fuites sur tous les raccords. Si vous constatez une fuite, identifiez-en la cause et procédez à la réparation nécessaire. N'utilisez pas le véhicule si une fuite est constatée.

Avvertissement: Le lubrifiant LUBRIPLATE® DS-ES est un produit non dangereux. Il est toutefois recommandé de bien se laver les mains après utilisation.

REMARQUE : Ne retirez pas le capteur de température installé en usine pour installer ce capteur de température. Si aucun emplacement n'est disponible, il est possible d'utiliser un adaptateur pour durite.

REMARQUE : L'aiguille peut ne pas toujours rester au point zéro lorsque le moteur est éteint.

Allumage

L'aiguille va tourner dans le sens inverse des aiguilles d'une montre jusqu'à la broche d'arrêt, puis va remonter jusqu'à la valeur de température effective. Cette procédure est une fonction d'auto-étalonnage et est réalisée à chaque allumage. La jauge peut émettre des bruits de cliquetis lors de ce test. Ce phénomène est parfaitement normal.

Récupération de valeur pic

Maintenez enfoncé le bouton **PEAK** pour consulter la plus haute mesure de température depuis la dernière réinitialisation de la mémoire. Pour réinitialiser la mémoire, maintenez enfoncé le bouton **PEAK** tout en appuyant sur le bouton **WARN**. L'aiguille va descendre sur la broche d'arrêt, indiquant que la mémoire a bien été réinitialisée. Relâchez les boutons **PEAK** et **WARN** pour reprendre un fonctionnement normal du manomètre. La valeur pic est conservée en mémoire même lorsque la jauge est mise hors tension.

Avvertissement plein cadran

Cette jauge intègre une fonctionnalité d'avertissement plein cadran. Lorsqu'un seuil d'avertissement est atteint, l'ensemble du cadran s'allume selon la couleur d'avertissement qui a été définie. Cette fonctionnalité peut être appliquée à un seuil d'avertissement de surchauffe et de sous-chauffe. De plus, le cadran se mettra à clignoter en cas d'atteinte d'un seuil critique.

Définition d'un seuil d'avertissement de surchauffe Pro Control

Pour ajuster le seuil d'avertissement de surchauffe, appuyez une fois sur le bouton **WARN** et relâchez-le. Le témoin d'avertissement va se mettre à clignoter et l'aiguille va se placer sur le seuil d'avertissement de surchauffe précédemment défini, indiquant que le mode de définition de seuil d'avertissement a bien été sélectionné. Une fois dans ce mode, appuyez sur les boutons **WARN** ou **PEAK** pour déplacer l'aiguille respectivement vers le bas ou vers le haut. Après un délai de trois secondes sans pression sur l'un de ces boutons, le témoin d'avertissement cesse de clignoter et l'aiguille revient à la mesure actuelle. Les seuils d'avertissement sont conservés en mémoire même lorsque la jauge est mise hors tension.

Définition d'un seuil critique de surchauffe Pro Control

Pour ajuster le seuil critique de surchauffe, maintenez enfoncé le bouton **WARN**. Au bout de trois secondes, le témoin d'avertissement va se mettre à clignoter et l'aiguille va se placer sur le seuil critique de surchauffe précédemment défini, indiquant que le mode de définition de seuil critique a bien été sélectionné. Relâchez le bouton **WARN**. Une fois dans ce mode, appuyez sur les boutons **WARN** ou **PEAK** pour déplacer l'aiguille respectivement vers le bas ou vers le haut. Après un délai de trois secondes sans pression sur l'un de ces boutons, le témoin d'avertissement cesse de clignoter et l'aiguille revient à la mesure actuelle. Les seuils critiques sont conservés en mémoire même lorsque la jauge est mise hors tension.

Définition d'un seuil d'avertissement de sous-chauffe Pro Control

Pour ajuster le seuil d'avertissement de sous-chauffe, maintenez enfoncé le bouton **WARN** tout en appuyant une fois sur le bouton **PEAK**. Le témoin d'avertissement va se mettre à clignoter et l'aiguille va se placer sur le seuil d'avertissement de sous-chauffe précédemment défini, indiquant que le mode de définition de seuil d'avertissement a bien été sélectionné. Une fois dans ce mode, appuyez sur les boutons **WARN** ou **PEAK** pour déplacer l'aiguille respectivement vers le bas ou vers le haut. Après un délai de trois secondes sans pression sur l'un de ces boutons, le témoin d'avertissement cesse de clignoter et l'aiguille revient à la mesure actuelle. Les seuils d'avertissement sont conservés en mémoire même lorsque la jauge est mise hors tension.

Définition d'un seuil critique de sous-chauffe Pro Control

Pour ajuster le seuil critique de sous-chauffe, maintenez enfoncé le bouton **WARN** puis appuyez immédiatement sur le bouton **PEAK** et maintenez-le également enfoncé. Au bout de trois secondes, le témoin d'avertissement va se mettre à clignoter et l'aiguille va se placer sur le seuil critique de sous-chauffe précédemment défini, indiquant que le mode de définition de seuil critique a bien été sélectionné. Relâchez les deux boutons. Une fois dans ce mode, appuyez sur les boutons **WARN** ou **PEAK** pour déplacer l'aiguille respectivement vers le bas ou vers le haut. Après un délai de trois secondes sans pression sur l'un de ces boutons, le témoin d'avertissement cesse de clignoter et l'aiguille revient à la mesure actuelle. Les seuils critiques sont conservés en mémoire même lorsque la jauge est mise hors tension.

Modification de la couleur de rétroéclairage

Pour modifier la couleur de rétroéclairage :

La jauge étant hors tension, maintenez enfoncé le bouton **WARN**. Alimentez maintenant la jauge. Relâchez le bouton **WARN**. Appuyez une fois sur le bouton **PEAK** et relâchez-le. L'aiguille va se placer à mi-course sur le cadran et ce dernier va s'allumer avec la couleur de rétroéclairage actuelle. Maintenez enfoncé le bouton **PEAK** pour passer en revue les différentes couleurs disponibles. Une fois la couleur voulue sélectionnée, relâchez le bouton **PEAK** et n'appuyez sur aucun autre bouton pendant trois secondes. Le cadran va clignoter plusieurs fois en blanc pour indiquer que la couleur a bien été enregistrée ; la jauge va ensuite reprendre son fonctionnement normal avec votre nouvelle sélection de couleur. Les sélections de couleur sont conservées en mémoire même lorsque la jauge est mise hors tension.

Modification de la couleur de la zone de sous-chauffe

(Zone A)

Accès au mode de définition des couleurs de sous-/surchauffe :

La jauge étant hors tension, maintenez enfoncé le bouton **WARN**. Alimentez maintenant la jauge. Relâchez le bouton **WARN**. L'aiguille doit se trouver sur la broche d'arrêt et l'éclairage du cadran doit être désactivé. Appuyez une fois sur le bouton **WARN** pour passer du jeu de couleurs de la zone de **SURCHAUFFE** au jeu de couleurs de la zone de **SOUS-CHAUFFE**. Lorsque le jeu de couleurs de la zone de surchauffe est sélectionné, l'aiguille monte à la valeur maximale et le cadran s'allume avec la couleur de surchauffe actuelle. Lorsque le jeu de couleurs de la zone de sous-chauffe est sélectionné, l'aiguille descend à la valeur minimale et le cadran s'allume avec la couleur de sous-chauffe actuelle.

Pour modifier la couleur de sous-chauffe :

Une fois le jeu de couleurs de la zone de sous-chauffe sélectionné (cf. ci-dessus), maintenez **enfoncé** le bouton **WARN** pour passer en revue les différentes couleurs disponibles. Une fois la couleur voulue sélectionnée, relâchez le bouton **WARN**. N'appuyez sur aucun autre bouton pendant trois secondes. Le cadran va clignoter plusieurs fois en blanc pour indiquer que la couleur a bien été enregistrée ; la jauge va ensuite reprendre son fonctionnement normal avec votre nouvelle sélection de couleur de sous-chauffe. Les sélections de couleur sont conservées en mémoire même lorsque la jauge est mise hors tension.

Modification de la couleur de la zone de surchauffe

(Zone C)

Accès au mode de définition des couleurs de sous-/surchauffe :

La jauge étant hors tension, maintenez enfoncé le bouton **WARN**. Alimentez maintenant la jauge. Relâchez le bouton **WARN**. L'aiguille doit se trouver sur la broche d'arrêt et l'éclairage du cadran doit être désactivé. Appuyez une fois sur le bouton **WARN** pour passer du jeu de couleurs de la zone de **SURCHAUFFE** au jeu de couleurs de la zone de **SOUS-CHAUFFE**. Lorsque le jeu de couleurs de la zone de surchauffe est sélectionné, l'aiguille monte à la valeur maximale et le cadran s'allume avec la couleur de surchauffe actuelle. Lorsque le jeu de couleurs de la zone de sous-chauffe est sélectionné, l'aiguille descend à la valeur minimale et le cadran s'allume avec la couleur de sous-chauffe actuelle.

Pour modifier la couleur de surchauffe :

Une fois le jeu de couleurs de la zone de surchauffe sélectionné (cf. ci-dessus), maintenez enfoncé le bouton **WARN** pour passer en revue les différentes couleurs disponibles. Une fois la couleur voulue sélectionnée, relâchez le bouton **WARN**. N'appuyez sur aucun autre bouton pendant trois secondes. Le cadran va clignoter plusieurs fois en blanc pour indiquer que la couleur a bien été enregistrée ; la jauge va ensuite reprendre son fonctionnement normal avec votre nouvelle sélection de couleur de surchauffe. Les sélections de couleur sont conservées en mémoire même lorsque la jauge est mise hors tension.

Mode d'éclairage

(Zone B)

Cette jauge permet de définir l'éclairage du cadran selon l'un de ces deux modes : Pleine intensité ou Atténuation. Le mode prédéfini en usine est le mode Pleine intensité.

Pleine intensité: Dans ce mode, le fil blanc dédié à l'éclairage n'est pas pris en compte. L'éclairage du cadran de la jauge s'effectue toujours à pleine intensité. (sauf si vous ne sélectionnez aucune couleur pour la définition de la couleur de rétroéclairage). Si vous utilisez le mode Pleine intensité, il n'est pas nécessaire de relier le fil blanc.

Atténuation: Dans ce mode, le fil blanc permet de définir une atténuation progressive de l'intensité lumineuse du cadran, passant de la pleine intensité à l'état éteint.

Pour modifier le mode d'éclairage: La jauge étant hors tension, maintenez enfoncé le bouton **PEAK**. Alimentez maintenant la jauge. Relâchez le bouton **PEAK**: le cadran va s'allumer en blanc ou en bleu. Appuyez sur le bouton **PEAK** pour passer du mode Pleine intensité (cadran éclairé en blanc) au mode Atténuation (cadran éclairé en bleu). Une fois le mode voulu sélectionné, n'appuyez sur aucun autre bouton pendant trois secondes. Le cadran va clignoter plusieurs fois en blanc pour indiquer que le mode a bien été enregistré ; la jauge va ensuite reprendre son fonctionnement normal avec votre nouvelle sélection de mode. Les sélections de mode sont conservées en mémoire même lorsque la jauge est mise hors tension.

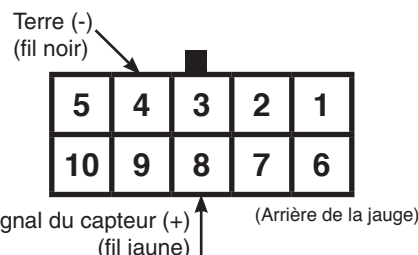
Sortie pour enregistreur de données

Cette jauge permet de transférer le signal du capteur vers un enregistreur de données externe. Cette fonctionnalité vous permet d'associer simultanément le capteur à la jauge et à l'enregistreur de données. Cette jauge évite donc de devoir installer deux capteurs pour mesurer le même paramètre.

Pour utiliser cette fonctionnalité, vous devez avoir installé un enregistreur de données dans le véhicule, puis y relier la sortie pour enregistreur de données sortant de la jauge. Les broches 4 (fil noir, terre) et 8 (fil jaune, signal du capteur) du connecteur à l'arrière de la jauge doivent être reliées à l'enregistreur de données. Une fois la jauge connectée à l'enregistreur de données, reportez-vous aux instructions de votre enregistreur de données pour savoir comment étalonner ce dernier afin qu'il exploite correctement le signal reçu

Étalonnage rapide: Utilisez la tension figurant dans la colonne « Tsortie ED » pour étalonner votre enregistreur de données selon la plage de températures désirée.

TABLEAU D'ÉTALONNAGE DE L'ENREGISTREUR DE DONNÉES									
	Temp (°F)	Temp. (°C)	Tsortie ED	N		Temp (°F)	Temp. (°C)	Tsortie ED	N
Point 1	60	15	0,510	418	Point 10	200	93	3,333	2 730
Point 2	80	26	0,791	648	Point 11	220	104	3,662	3 000
Point 3	100	37	1,174	962	Point 12	240	115	3,937	3 225
Point 4	120	48	1,594	1 306	Point 13	250	121	4,056	3 323
Point 5	130	54	1,810	1 483	Point 14	260	126	4,155	3 404
Point 6	140	60	2,030	1 663	Point 15	280	137	4,342	3 557
Point 7	160	71	2,507	2 054	Point 16	310	154	4,535	3 715
Point 8	180	82	2,938	2 407	Point 17	340	171	4,668	3 824
Point 9	190	87	3,145	2 576					



Étalonnage plus précis :

Procédez comme suit pour réaliser un étalonnage plus précis.

Sur le côté de la jauge figure une étiquette avec la mention « Data Logger = x.xxx », où x.xxx est une valeur numérique.

Cette valeur correspond à Vs dans l'équation suivante, qui permet de calculer précisément la tension de sortie de l'enregistreur de données.

$$T_{\text{sortie ED}} = N \times V_s / 4 096$$

Réinitialisation de la jauge

Vous pourrez être amené à réinitialiser la jauge. Cette opération efface les paramètres programmables pour restaurer les valeurs par défaut du système. La jauge étant hors tension, maintenez enfoncés les deux boutons.

Alimentez la jauge, attendez deux secondes puis relâchez les deux boutons. Le cadran va clignoter plusieurs fois en blanc puis va reprendre son fonctionnement normal. La jauge a alors bien été réinitialisée.

Liste des paramètres par défaut :

Seuil d'avertissement de surchauffe : valeur maximale

Seuil d'avertissement de sous-chauffe : valeur minimale

États actifs des sorties Pro Control

Les plages actives des sorties Pro Control peuvent être reconfigurées par l'utilisateur. Supposons par exemple qu'un manomètre dispose d'un seuil de sous-pression défini à 20 PSI. Il est possible de configurer ce manomètre de sorte que la sortie Pro Control associée soit active lorsque l'aiguille tombe sous ce seuil de sous-pression [moins de 20 PSI] (la sortie est alors dite « active pour valeurs inférieures ») OU lorsque l'aiguille dépasse ce seuil de sous-pression [plus de 20 PSI] (la sortie est alors dite « active pour valeurs supérieures »). Supposons de la même manière qu'un manomètre dispose d'un seuil de surpression défini à 95 PSI. Il est ici aussi possible de configurer ce manomètre de sorte que la sortie Pro Control associée soit active lorsque l'aiguille tombe sous ce seuil de surpression [moins de 95 PSI] (la sortie est alors dite « active pour valeurs inférieures ») OU lorsque l'aiguille dépasse ce seuil de surpression [plus de 95 PSI] (la sortie est alors dite « active pour valeurs supérieures »).

Pour modifier l'état actif d'une sortie:

La jauge étant hors tension, maintenez enfoncé le bouton **PEAK**. Alimentez maintenant la jauge. Relâchez le bouton **PEAK**. Appuyez une fois sur le bouton **WARN** et relâchez-le. La jauge est maintenant en mode de définition des états actifs. L'aiguille va se placer sur la valeur médiane du cadran.

Appuyez une fois sur le bouton **WARN** pour passer du mode de définition de

Valeur pic : valeur minimale

Couleur de surchauffe : rouge

Couleur de sous-chauffe : vert

Couleur de rétroéclairage : blanc

Mode d'éclairage : Pleine intensité

État de la sortie de surchauffe Pro Control : active pour valeurs supérieures

État de la sortie de sous-chauffe Pro Control : active pour valeurs inférieures

Seuil critique de surchauffe : valeur maximale

Seuil critique de sous-chauffe : valeur minimale

REMARQUE: la définition des états actifs des sorties Pro Control n'a aucune incidence sur la couleur affectée à chaque zone du cadran.

l'état actif du seuil de sous-chauffe à celui du seuil de surchauffe. Ce faisant, l'éclairage de l'écran va permuter entre le vert et le rouge. L'éclairage vert correspond au mode de définition de l'état actif du seuil de sous-chauffe. L'éclairage rouge correspond au mode de définition de l'état actif du seuil de surchauffe.

Une fois le mode de définition voulu sélectionné (éclairage rouge ou vert), maintenez enfoncé le bouton **WARN** pour passer de l'état « active pour valeurs supérieures » à l'état « active pour valeurs inférieures ». Tandis que vous maintenez le bouton enfoncé, l'aiguille va successivement passer à gauche et à droite de la position centrale, en restant temporairement stationnaire de chaque côté. La position gauche correspond à l'état « active pour valeurs inférieures » et la position droite à l'état « active pour valeurs supérieures ». Relâchez le bouton **WARN** lorsque l'aiguille se trouve dans la position correspondant à l'état que vous souhaitez définir. Une fois l'état voulu sélectionné, n'appuyez sur aucun autre bouton pendant trois secondes. Le cadran va clignoter plusieurs fois en blanc pour indiquer que l'état a bien été enregistré ; la jauge va ensuite reprendre son fonctionnement normal avec votre nouvelle sélection d'état. Les sélections d'état sont conservées en mémoire même lorsque la jauge est mise hors tension.

Pro Control

La fonctionnalité Pro Control active une masse commutée lors de l'atteinte d'un seuil défini par l'utilisateur. Elle peut être utilisée pour déclencher un relais qui va activer un système de coupure de l'allumage, un système de refroidissement, des voyants, des alarmes, etc. Les seuils définissent trois zones sur le cadran de la jauge : la zone sous le seuil de sous-pression, la zone entre les deux seuils et la zone au-dessus du seuil de surpression.

Seuil de sous-pression - État de la sortie : ACTIVE POUR VALEURS INFÉRIEURES (FIL ORANGE)

Zone du cadran	Sortie Pro Control n°1	Contact normalement ouvert	Contact normalement fermé	Couleur du cadran
A	Active (ON)	FERMÉ (ON)	OUVERT (OFF)	Couleur de sous-pression
B	OFF	OUVERT (OFF)	FERMÉ (ON)	Couleur de rétroéclairage
C	OFF	OUVERT (OFF)	FERMÉ (ON)	Couleur de surpression

Seuil de sous-pression - État de la sortie : ACTIVE POUR VALEURS SUPÉRIEURES (FIL ORANGE)

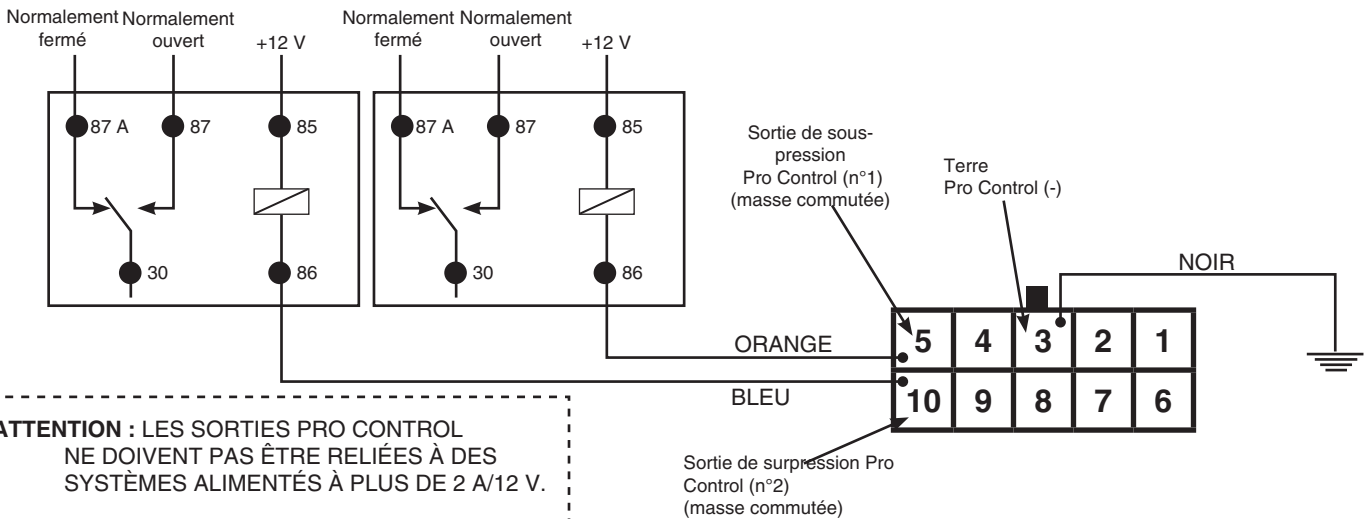
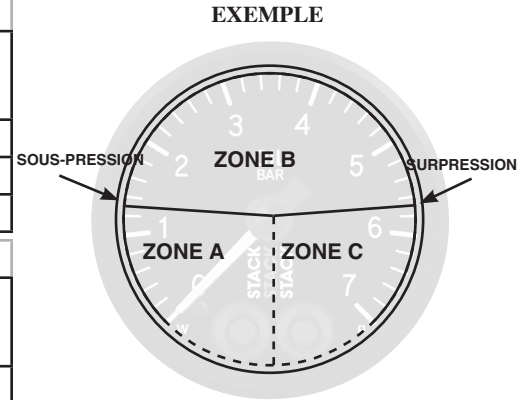
Zone du cadran	Sortie Pro Control n°1	Contact normalement ouvert	Contact normalement fermé	Couleur du cadran
A	OFF	OUVERT (OFF)	FERMÉ (ON)	Couleur de sous-pression
B	Active (ON)	FERMÉ (ON)	OUVERT (OFF)	Couleur de rétroéclairage
C	Active (ON)	FERMÉ (ON)	OUVERT (OFF)	Couleur de surpression

Seuil de surpression - État de la sortie : ACTIVE POUR VALEURS SUPÉRIEURES (FIL BLEU)

Zone du cadran	Sortie Pro Control n°2	Contact normalement ouvert	Contact normalement fermé	Couleur du cadran
A	OFF	OUVERT (OFF)	FERMÉ (ON)	Couleur de sous-pression
B	OFF	OUVERT (OFF)	FERMÉ (ON)	Couleur de rétroéclairage
C	Active (ON)	FERMÉ (ON)	OUVERT (OFF)	Couleur de surpression

Seuil de surpression - État de la sortie : ACTIVE POUR VALEURS INFÉRIEURES (FIL BLEU)

Zone du cadran	Sortie Pro Control n°2	Contact normalement ouvert	Contact normalement fermé	Couleur du cadran
A	Active (ON)	FERMÉ (ON)	OUVERT (OFF)	Couleur de sous-pression
B	Active (ON)	FERMÉ (ON)	OUVERT (OFF)	Couleur de rétroéclairage
C	OFF	OUVERT (OFF)	FERMÉ (ON)	Couleur de surpression



GARANTIE

Stack Limited applique pour ce produit (à l'exception des capteurs associés, qui rentrent dans la catégorie des consommables) une garantie pièces et main-d'œuvre d'1 an à compter de la date d'acquisition. Cette garantie s'applique exclusivement à l'acheteur d'origine du produit et n'est pas transférable. Toutes les garanties implicites sont limitées dans leur durée aux périodes de garantie susmentionnées. Toute rupture de sceau de l'instrument, tout usage ou installation incorrect, tout accident, tout endommagement via un liquide, toute utilisation abusive et toute réparation ou modification non autorisée rend caduque cette garantie. Stack Limited décline toute responsabilité pour les dommages faisant suite à la rupture de toute garantie écrite ou implicite sur l'ensemble des produits fabriqués par Stack Limited.

POUR OBTENIR DES INSTRUCTIONS D'UTILISATION COMPLÈTES, RENDEZ-VOUS SUR : WWW.STACKLTD.COM

Stack Ltd. Wedgwood Road Bicester OX26 4UL UK

Tél. : +44 (0) 1869 240404

Fax : +44 (0) 1869 245500

E-mail : sales@stackltd.com

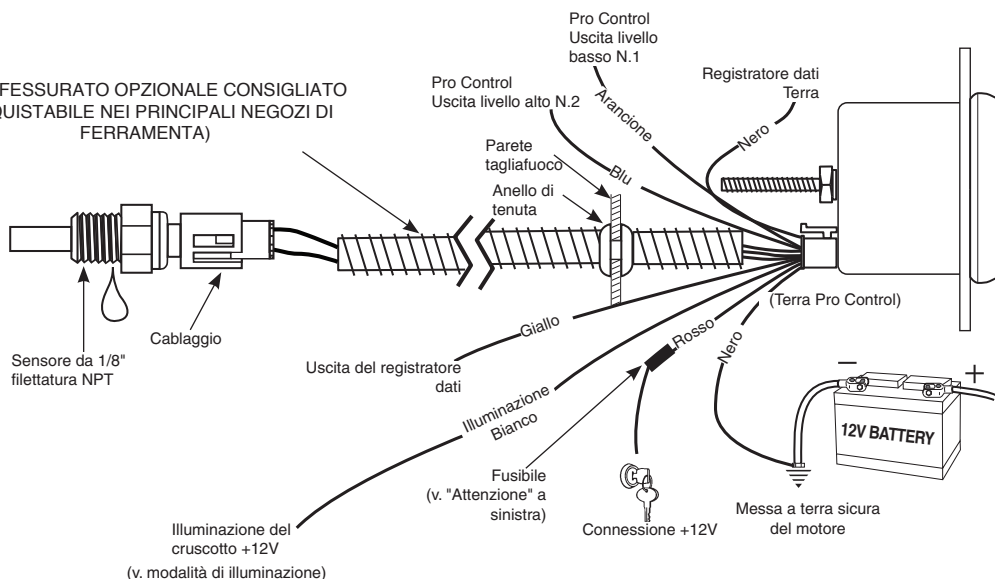


UTILIZZARE GUARNIZIONI IN TEFLON, NASTRO O MATERIALE DI TENUTA SULLE FILETTATURE DEL TUBO

ATTENZIONE!

A scopo di sicurezza, il morsetto +12V di questo prodotto deve essere protetto da un fusibile prima della connessione all'interruttore di avviamento a 12V. Si consiglia un fusibile di tipo a cartuccia, ad azione rapida, 3AG da 1 A.

TUBO FESSURATO OPZIONALE CONSIGLIATO (ACQUISTABILE NEI PRINCIPALI NEGOZI DI FERRAMENTA)



Installazione

NOTA: Alcuni dei veicoli più recenti utilizzano sensori elettronici nei manometri e nei termometri per il controllo delle funzioni del motore. Prima di smontare il sensore originale, si consiglia di contattare il proprio concessionario per assicurarsi che non vengano alterate delle funzioni critiche.

1. Assicurarsi che siano disponibili tutte le parti richieste per l'installazione e che il motore sia freddo.
2. Scollegare il cavo negativo (-) della batteria.
3. L'indicatore può essere montato in un'apertura di 52,4 mm. Utilizzare le staffe e i dadi forniti per fissarlo al cruscotto.
4. Eseguire un foro di 25,4 mm di diametro per il passaggio dei fili attraverso la lastra in metallo (come per la parete tagliafuoco) e installare l'anello di tenuta in gomma compreso nella fornitura. (L'anello di tenuta richiede una fenditura).
5. Collegare il filo bianco all'illuminazione del cruscotto o a una sorgente di luce a 12V commutabile, il filo rosso a una sorgente a +12V a polarità invertita e il filo nero a terra (v. schema dettagliato).
6. Installare il sensore di temperatura.
 - A. Temp. dell'acqua: Installare il sensore di temperatura. nota: la dotazione comprende un sensore NPT da 1/8". Per gli attacchi NPT da 3/8" o 1/2" NPT, utilizzare l'adattatore fornito in dotazione.
 - B. Temp. trasm.: eseguire il foro e saldare o brasare il dado adattatore sul pannello. Verificare che lo spazio interno sia sufficiente per dado e sensore.
7. Tagliare e aprire il pacchetto di grasso dielettrico fornito e spremere il grasso nel connettore del sensore di temperatura prima di eseguire il cablaggio. (Importante: serve per proteggere la connessione da sporco e umidità).
8. Collegare il filo rosso a una sorgente a +12V a polarità invertita e il filo nero a terra. (per maggiori dettagli, consultare lo schema)
9. Ricollegare il cavo negativo (-) della batteria.

NOTA: Controllare che tutti i raccordi e le connessioni non presentino perdite. Se si rilevano delle perdite, individuare la causa ed eseguire le relative riparazioni. Finché sono presenti delle perdite, il veicolo non deve essere utilizzato.

Attenzione: LUBRIPATE® DS-ES non è una sostanza pericolosa. In ogni caso, si consiglia di lavare accuratamente le mani dopo l'uso.

NOTA: non smontare il termometro installato in fabbrica per installare un sensore di temperatura. Se non è possibile trovare una posizione adatta, utilizzare un adattatore del tubo flessibile.

NOTA: quando si disattiva l'accensione, l'indicatore potrebbe non ritornare sempre a zero.

Accensione

L'indicatore si porta in corrispondenza del perno di arresto girando in senso antiorario e quindi indica la lettura corretta. Si tratta di una funzione di taratura automatica, che viene eseguita a ogni accensione. Durante l'esecuzione di questa procedura, lo strumento potrebbe produrre un "clic". Ciò è normale.

Richiamo picco

Tenere premuto il pulsante **PEAK** per richiamare il valore di temperatura massimo registrato dall'ultimo azzeramento della memoria. Per azzerare la memoria, tenere premuto il pulsante **PEAK**, e, continuando a tenere premuto il pulsante **PEAK**, premere il pulsante **WARN**. L'indicatore si porterà in corrispondenza del perno di arresto per indicare che la memoria è stata azzerata. Rilasciare i pulsanti **PEAK** e **WARN** per ritornare in modalità di funzionamento normale. Il valore di richiamo picco rimane salvato anche quando si disattiva l'alimentazione dello strumento.

Funzione di avviso a quadrante completo

Questo strumento è dotato di una funzione di avviso a quadrante completo. Quando viene rilevato un valore che richiede un avviso, tutto il quadrante si illumina con la luce del colore programmato per gli avvisi. Questa funzione è disponibile per i set point di avviso alto e basso. Inoltre, quando si raggiunge un valore programmato massimo, oltre all'attivazione della luce del colore previsto per gli avvisi, si attiva anche un lampeggio.

Setpoint di avviso alto Pro Control

Per regolare il set point di avviso alto, premere e rilasciare il pulsante **WARN**. La luce di avviso inizierà a lampeggiare e l'indicatore si porterà in corrispondenza del set point di avviso alto precedente, per segnalare che è stata selezionata la modalità di impostazione avviso. Una volta attivata la modalità di impostazione, premere il pulsante **WARN** per spostare l'indicatore verso il basso, oppure premere il pulsante **PEAK** per spostare l'indicatore verso l'alto. Dopo tre secondi dalla pressione dell'ultimo tasto, la luce di avviso smetterà di lampeggiare e l'indicatore tornerà al valore corrente. I set point di avviso rimangono salvati anche quando si disattiva l'alimentazione dello strumento.

Setpoint di avviso max Pro Control

Per regolare il set point di avviso max, tenere premuto il pulsante **WARN**. Dopo tre secondi, la luce di avviso inizierà a lampeggiare e l'indicatore si porterà in corrispondenza del set point di avviso max precedente, per segnalare che è stata selezionata la modalità di impostazione avviso max. Rilasciare il pulsante **WARN**. Una volta attivata la modalità di impostazione, premere il pulsante **WARN** per spostare l'indicatore verso il basso, oppure premere il pulsante **PEAK** per spostare l'indicatore verso l'alto. Dopo tre secondi dalla pressione dell'ultimo tasto, la luce di avviso smetterà di lampeggiare e l'indicatore tornerà al valore corrente. I set point di avviso min/max rimangono salvati anche quando si disattiva l'alimentazione dello strumento.

Setpoint di avviso basso Pro Control

Per regolare il set point di avviso basso, tenere premuto il pulsante **WARN**, e, continuando a tenere premuto il pulsante **WARN**, premere e rilasciare il pulsante **PEAK**. La luce di avviso inizierà a lampeggiare, e l'indicatore si porterà in corrispondenza del set point di avviso basso precedente, per segnalare che è stata selezionata la modalità di impostazione di avviso. Una volta attivata la modalità di impostazione, premere il pulsante **WARN** per spostare l'indicatore verso il basso, oppure premere il pulsante **PEAK** per spostare l'indicatore verso l'alto. Dopo tre secondi dalla pressione dell'ultimo tasto, la luce di avviso smetterà di lampeggiare e l'indicatore tornerà al valore corrente. I set point di avviso rimangono salvati anche quando si disattiva l'alimentazione dello strumento.

Setpoint di avviso min Pro Control

Per regolare il set point di avviso min, tenere premuto il pulsante **WARN** e, continuando a tenere premuto il pulsante **WARN**, premere immediatamente e tenere premuto il pulsante **PEAK**. Dopo tre secondi, la luce di avviso inizierà a lampeggiare, e l'indicatore si porterà in corrispondenza del set point di avviso min precedente, per segnalare che è stata selezionata la modalità di impostazione di avviso min. Rilasciare i due pulsanti. Una volta attivata la modalità di impostazione, premere il pulsante **WARN** per spostare l'indicatore verso il basso, oppure premere il pulsante **PEAK** per spostare l'indicatore verso l'alto. Dopo tre secondi dalla pressione dell'ultimo tasto, la luce di avviso smetterà di lampeggiare e l'indicatore tornerà al valore corrente. I set point di avviso min/max rimangono salvati anche quando si disattiva l'alimentazione dello strumento.

Modifica del colore della retroilluminazione

Per cambiare il colore della retroilluminazione:

Dopo aver disattivato l'alimentazione, tenere premuto il pulsante di avviso. Attivare l'alimentazione dello strumento. Rilasciare il pulsante **WARN**. Premere e rilasciare il pulsante **PEAK**. L'indicatore si porterà in corrispondenza del valore di metà scala e il quadrante si illuminerà con il colore attualmente impostato. Tenere premuto il pulsante **PEAK** per scorrere i vari colori disponibili. Dopo aver selezionato il colore desiderato, rilasciare il pulsante **PEAK** e non premere alcun pulsante per tre secondi circa. Il quadrante lampeggerà più volte con luce bianca, per indicare che l'impostazione desiderata è stata salvata. Dopodiché, lo strumento ritornerà in modalità di funzionamento normale con i nuovi colori impostati. Le selezioni relative al colore rimangono salvate anche in seguito alla disattivazione dell'alimentazione.

Modifica del colore di avviso basso

(Colore regione A)

Modalità di impostazione colore di avviso:

Dopo aver disattivato l'alimentazione, tenere premuto il pulsante **WARN**. Attivare l'alimentazione dello strumento. Rilasciare il pulsante **WARN**. L'indicatore a questo punto sarà in corrispondenza del perno di arresto e l'illuminazione del quadrante sarà disattivata. Premere e rilasciare il pulsante **WARN** per passare alternativamente dalla modalità di impostazione dei colori di avviso **HIGH** (Alto) a **LOW** (Basso). In modalità di impostazione colore di avviso Alto, l'indicatore si porta in corrispondenza del valore di fondo scala e il quadrante si illumina con il colore di avviso Alto attualmente impostato. In modalità di impostazione colore di avviso Basso, l'indicatore si porta in corrispondenza della posizione minima e il quadrante si illumina con il colore di avviso basso attualmente impostato.

Per cambiare il colore di avviso basso:

Dopo aver selezionato la modalità di impostazione colore di avviso basso (v. procedura illustrata in precedenza), tenere premuto il pulsante **WARN** per scorrere tutti i colori disponibili. Una volta selezionato il colore desiderato, rilasciare il pulsante **WARN**. Non premere alcun pulsante per tre secondi circa. Il quadrante lampeggerà più volte con luce bianca, per indicare che l'impostazione desiderata è stata salvata, dopodiché lo strumento ritornerà in modalità di funzionamento normale con il nuovo colore di avviso basso impostato. Le selezioni relative al colore rimangono salvate anche in seguito alla disattivazione dell'alimentazione.

Modifica del colore di avviso alto

(Colore regione C)

Modalità di impostazione colore di avviso:

Dopo aver disattivato l'alimentazione, tenere premuto il pulsante **WARN**. Attivare l'alimentazione dello strumento. Rilasciare il pulsante **WARN**. L'indicatore a questo punto sarà in corrispondenza del perno di arresto e l'illuminazione del quadrante sarà disattivata. Premere e rilasciare il pulsante **WARN** per passare alternativamente dalla modalità di impostazione dei colori di avviso **HIGH** (Alto) a **LOW** (Basso). In modalità di impostazione colore di avviso Alto, l'indicatore si porta in corrispondenza del valore di fondo scala e il quadrante si illumina con il colore di avviso Alto attualmente impostato. In modalità di impostazione colore di avviso Basso, l'indicatore si porta in corrispondenza della posizione minima e il quadrante si illumina con il colore di avviso basso attualmente impostato.

Per cambiare il colore di avviso alto:

Dopo aver selezionato la modalità di impostazione colore di avviso alto (v. procedura illustrata in precedenza), tenere premuto il pulsante **WARN** per scorrere tutti i colori disponibili. Una volta selezionato il colore desiderato, rilasciare il pulsante **WARN**. Non premere alcun pulsante per tre secondi circa. Il quadrante lampeggerà più volte con luce bianca, per indicare che l'impostazione desiderata è stata salvata. Dopodiché lo strumento ritornerà in modalità di funzionamento normale con il nuovo colore di avviso alto impostato. Le selezioni relative al colore rimangono salvate anche in seguito alla disattivazione dell'alimentazione.

Modalità di illuminazione

(Colore regione B)

Il quadrante di questo strumento ha due modalità di illuminazione: Luminosità massima e Oscurabile. L'impostazione predefinita è Luminosità massima.

Luminosità massima: in questa modalità, il filo bianco dell'illuminazione viene ignorato. L'illuminazione del quadrante dello strumento è sempre attiva al livello di illuminazione massimo. (A meno che non si selezioni l'impostazione NO colore quando si imposta il colore della retroilluminazione). Se si utilizza la modalità Luminosità massima, non è necessario collegare il filo bianco.

Oscurabile: in questa modalità, si utilizza il filo bianco per impostare l'intensità dell'illuminazione del quadrante da luminosità massima a luminosità zero.

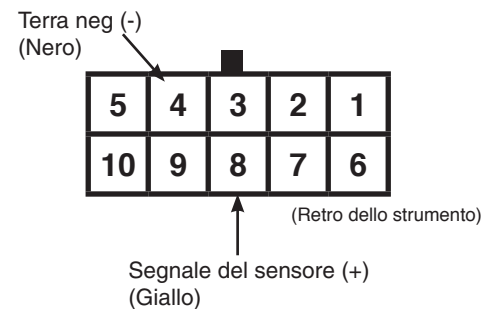
Per cambiare modalità di illuminazione: Dopo aver disattivato l'alimentazione, tenere premuto il pulsante **PEAK**. Attivare l'alimentazione dello strumento. Rilasciare il pulsante **PEAK**; il quadrante si illuminerà con luce bianca o blu. Premere e rilasciare il pulsante **PEAK** per passare alternativamente da Luminosità massima (quadrante illuminato con luce bianca) a Oscurabile (quadrante illuminato con luce blu). Dopo aver selezionato la modalità desiderata, non premere alcun pulsante per tre secondi circa. Il quadrante lampeggerà più volte con luce bianca, per indicare che l'impostazione desiderata è stata salvata. Dopodiché lo strumento ritornerà in modalità di funzionamento normale con la nuova modalità impostata. Le selezioni relative alle modalità rimangono salvate anche in seguito alla disattivazione dell'alimentazione.

Uscita del registratore dati

Questo strumento è dotato di un'uscita che consente di trasmettere il segnale del sensore a un registratore dati esterno. In questo modo, è possibile utilizzare lo stesso sensore sia per lo strumento sia per il registratore dati, pertanto, non è necessario installare due sensori per eseguire la stessa misurazione.

Per poter utilizzare questa funzionalità, è necessario installare un registratore dati sul veicolo e collegare l'uscita del registratore dati dallo strumento al registratore dati. I pin numero 4 (filo nero, terra) e 8 (filo giallo, segnale sensore) del connettore posto sul retro dello strumento sono le connessioni del segnale del sensore del registratore dati e di terra che devono essere collegate al registratore dati. Dopo aver collegato lo strumento al registratore dati, consultare il relativo manuale di istruzioni per tarare il registratore in modo da poter utilizzare il segnale. **Taratura rapida:** Utilizzare la tensione della colonna 'DL Vuscita' per tarare il registratore dati sul campo di temperatura desiderato.

TABELLA DI TARATURA REGISTRATORE DATI									
	Temp (°F)	Temp (°C)	DL Vuscita	N		Temp (°F)	Temp (°C)	DL Vuscita	N
Punto 1	60	15	0,510	418	Punto 10	200	93	3,333	2730
Punto 2	80	26	0,791	648	Punto 11	220	104	3,662	3000
Punto 3	100	37	1,174	962	Punto 12	240	115	3,937	3225
Punto 4	120	48	1,594	1306	Punto 13	250	121	4,056	3323
Punto 5	130	54	1,810	1483	Punto 14	260	126	4,155	3404
Punto 6	140	60	2,030	1663	Punto 15	280	137	4,342	3557
Punto 7	160	71	2,507	2054	Punto 16	310	154	4,535	3715
Punto 8	180	82	2,938	2407	Punto 17	340	171	4,668	3824
Punto 9	190	87	3,145	2576					



Taratura per una maggiore precisione:

Per eseguire una taratura che consenta di ottenere una maggiore precisione, seguire la seguente procedura. Sul fianco dello strumento è riportata un'etichetta con la dicitura 'Data Logger = x.xxx', dove x.xxx rappresenta un numero. Tale numero corrisponde a Vs nella seguente equazione:
 $DL\ Vuscita = N \times Vs / 4096$

Reset dello strumento

Talvolta, potrebbe essere necessario resettare lo strumento. Questa procedura determina l'annullamento di tutte le impostazioni programmabili e il ripristino delle impostazioni predefinite del sistema. Con l'alimentazione disattivata, tenere premuti entrambi i pulsanti. Attivare l'alimentazione dello strumento, attendere due secondi, quindi rilasciare i due pulsanti. Il quadrante dello strumento lampeggerà più volte con luce bianca e ritornerà in modalità di funzionamento normale. Lo strumento è stato resettato. Impostazioni di reset:

Stati attivi Pro Control

La regione attiva delle uscite della funzionalità Pro Control può essere configurata dall'utente. Ad esempio, poniamo di avere manometro con set point di avviso basso impostato a 20 PSI. È possibile configurare lo strumento in modo che l'uscita Pro Control associata sia attiva quando l'indicatore segna un valore inferiore al set point [inferiore a 20 PSI] (attivo livello basso) OPPURE quando l'indicatore segna un valore superiore al set point [superiore a 20 PSI] (attivo livello alto). Analogamente, poniamo di avere un manometro con set point di avviso alto impostato a 95 PSI. Anche in questo caso, è possibile configurare lo strumento in modo che l'uscita Pro Control sia attiva quando l'indicatore segna un valore inferiore al set point [inferiore a 95 PSI] (attivo livello basso) OPPURE quando l'indicatore segna un valore superiore al set point [superiore a 95 PSI] (attivo livello alto).

Per cambiare lo stato attivo:

Dopo aver disattivato l'alimentazione, tenere premuto il pulsante **PEAK**. Attivare l'alimentazione dello strumento. Rilasciare il pulsante **PEAK**. Premere e rilasciare il pulsante **WARN**. Lo strumento ora è in modalità di impostazione stato attivo. L'indicatore si porterà immediatamente in corrispondenza del valore al centro del quadrante in alto. Premere e

- Set point di avviso alto: valore massimo
- Set point di avviso basso: valore minimo
- Picco: valore minimo
- Colore di avviso alto: rosso
- Colore di avviso basso: verde
- Colore della retroilluminazione: bianco
- Modalità di illuminazione: Luminosità massima
- Stato Pro Control avviso alto: attivo alto
- Stato Pro Control avviso basso: attivo basso
- Setpoint di avviso max: valore massimo
- Setpoint di avviso min: valore minimo

rilasciare il pulsante **WARN** per attivare alternativamente le modalità di impostazione stato attivo avviso basso e alto. Mentre si esegue questa impostazione, il quadrante passa da verde a rosso e viceversa. Quando si imposta lo stato attivo di avviso basso, il quadrante è verde. Quando si imposta lo stato attivo di avviso alto, il quadrante è rosso.

Una volta selezionata la modalità di avviso prevista (verde o rosso), tenere premuto il pulsante **WARN** per passare alternativamente da attivo alto ad attivo basso. Mentre si tiene premuto il pulsante, l'indicatore si sposta continuamente a sinistra e destra del centro, facendo una pausa su ciascun lato. L'indicatore a sinistra corrisponde ad attivo livello basso, l'indicatore a destra corrisponde ad attivo livello alto. Rilasciare il pulsante **WARN** quando l'indicatore si trova nella posizione corrispondente allo stato attivo desiderato. Dopo aver selezionato lo stato desiderato, non premere alcun pulsante per tre secondi circa. Il quadrante lampeggerà più volte con luce bianca, per indicare che l'impostazione desiderata è stata salvata, dopodiché lo strumento ritornerà in modalità di funzionamento normale con il nuovo stato impostato. Le selezioni relative allo stato rimangono salvate anche in seguito alla disattivazione dell'alimentazione.

NOTA: lo stato attivo della funzione Pro Control non influisce sul colore delle singole regioni del quadrante.

Pro Control

La funzione Pro Control attiva un'uscita di terra a polarità invertita in corrispondenza di un set point definito dall'utente. La funzione Pro Control può essere utilizzata per attivare un relè per l'azionamento di un interruttore di disabilitazione accensione, ventole di raffreddamento, spie, allarmi, ecc. Questi set point determinano l'impostazione di tre regioni del quadrante dello strumento, la regione al di sotto del set point basso, la regione compresa tra i set point, e la regione superiore al set point alto.

Set point basso - STATO ATTIVO BASSO (FILO ARANCIONE)

Regione indicatore	Uscita Pro Control n.1	Contatto normalmente aperto	Contatto normalmente chiuso	Colore quadrante
A	Attiva (ON)	CHIUSO (ON)	APERTO (OFF)	Colore di avviso basso
B	OFF	APERTO (OFF)	CHIUSO (ON)	Colore retroilluminazione
C	OFF	APERTO (OFF)	CHIUSO (ON)	Colore di avviso alto

Set point basso - STATO ATTIVO ALTO (FILO ARANCIONE)

Regione indicatore	Uscita Pro Control n.1	Contatto normalmente aperto	Contatto normalmente chiuso	Colore quadrante
A	OFF	APERTO (OFF)	CHIUSO (ON)	Colore di avviso basso
B	Attiva (ON)	CHIUSO (ON)	APERTO (OFF)	Colore retroilluminazione
C	Attiva (ON)	CHIUSO (ON)	APERTO (OFF)	Colore di avviso alto

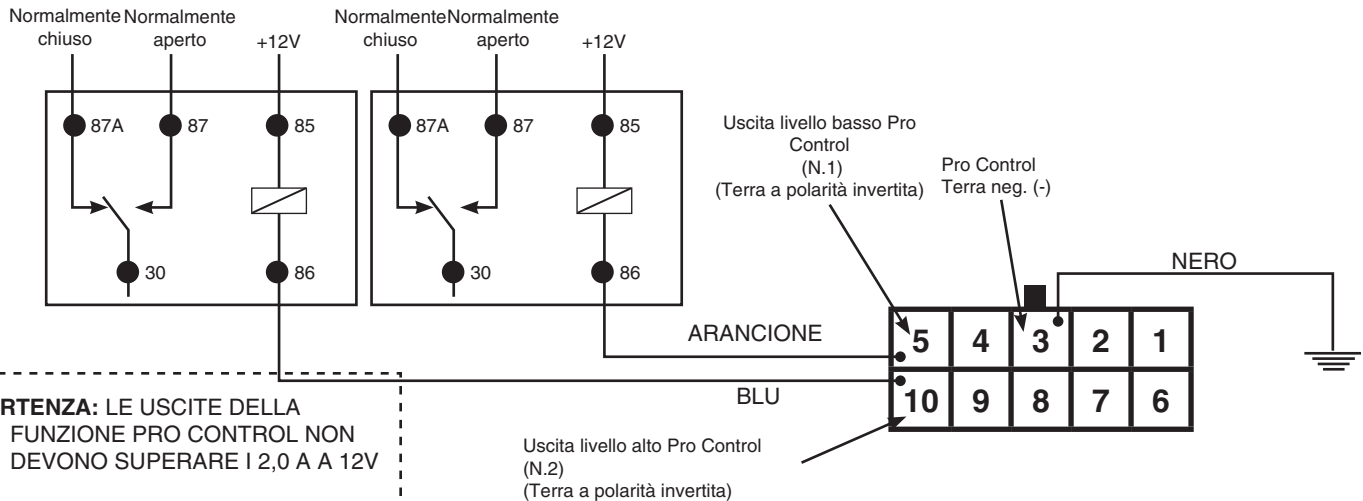
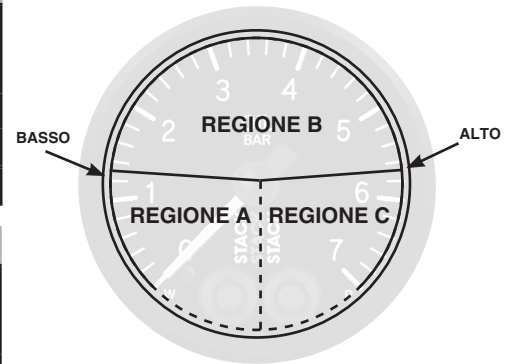
Set point alto - STATO ATTIVO ALTO (FILO BLU)

Regione indicatore	Uscita Pro Control n.2	Contatto normalmente aperto	Contatto normalmente chiuso	Colore quadrante
A	OFF	APERTO (OFF)	CHIUSO (ON)	Colore di avviso basso
B	OFF	APERTO (OFF)	CHIUSO (ON)	Colore retroilluminazione
C	Attiva (ON)	CHIUSO (ON)	APERTO (OFF)	Colore di avviso alto

Set point alto - STATO ATTIVO BASSO (FILO BLU)

Regione indicatore	Uscita Pro Control n.2	Contatto normalmente aperto	Contatto normalmente chiuso	Colore quadrante
A	Attiva (ON)	CHIUSO (ON)	APERTO (OFF)	Colore di avviso basso
B	Attiva (ON)	CHIUSO (ON)	APERTO (OFF)	Colore retroilluminazione
C	OFF	APERTO (OFF)	CHIUSO (ON)	Colore di avviso alto

ESEMPIO



GARANZIA

Stack Limited garantisce che questo prodotto (esclusi i relativi sensori, che sono materiali di consumo) sarà privo di difetti di lavorazione o dei materiali per un (1) anno dalla data di acquisto da parte del consumatore. Questa garanzia è valida solo per l'acquirente originale del prodotto e non è trasferibile. Tutte le garanzie implicite hanno una durata limitata ai termini di garanzia suddetti. La garanzia si intende annullata in caso di rottura della guarnizione dello strumento, uso improprio o installazione non corretta, incidenti, danni causati da acqua, abusi, riparazioni o modifiche non autorizzate. Stack Limited non si assume alcuna responsabilità per i danni dovuti al mancato rispetto dei termini di garanzia scritti o impliciti di tutti i prodotti fabbricati da Stack Limited.

PER SCARICARE I MANUALI DI ISTRUZIONI COMPLETI, VISITARE IL SITO: WWW.STACKLTD.COM

Stack Ltd. Wedgwood Road Bicester OX26 4UL UK

Tel: +44 (0) 1869 240404

Fax: +44 (0) 1869 245500

Email: sales@stackltd.com